

YAO HAN

手提式縫袋口機

MODEL

PORTABLE BAG CLOSER

N602A (ONE THREAD)
單線

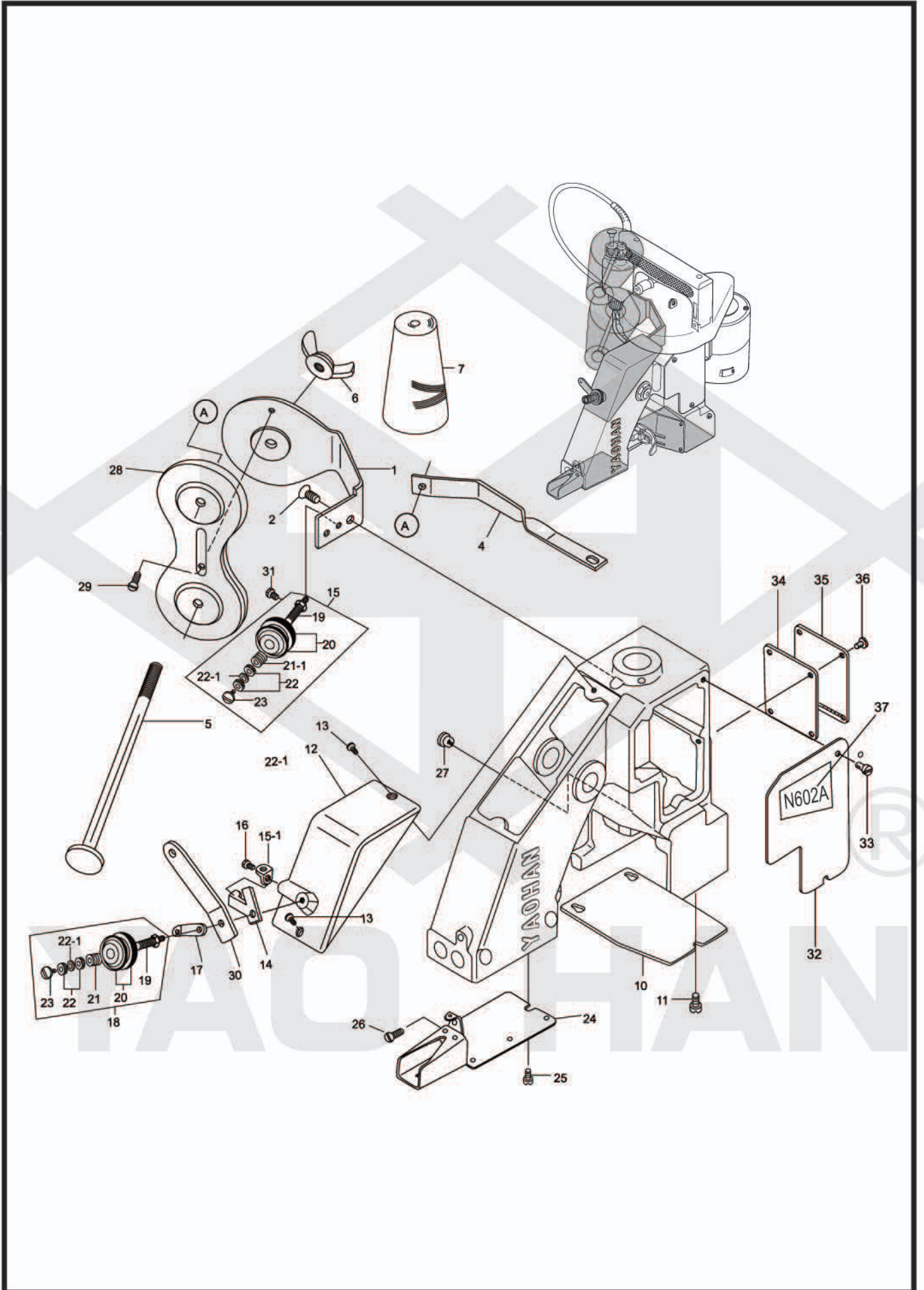
PARTS BOOK 零件本

N602H (ONE THREAD, HIGH SPEED)
單線, 高速



耀瀚股份有限公司
YAO HAN INDUSTRIES CO., LTD.

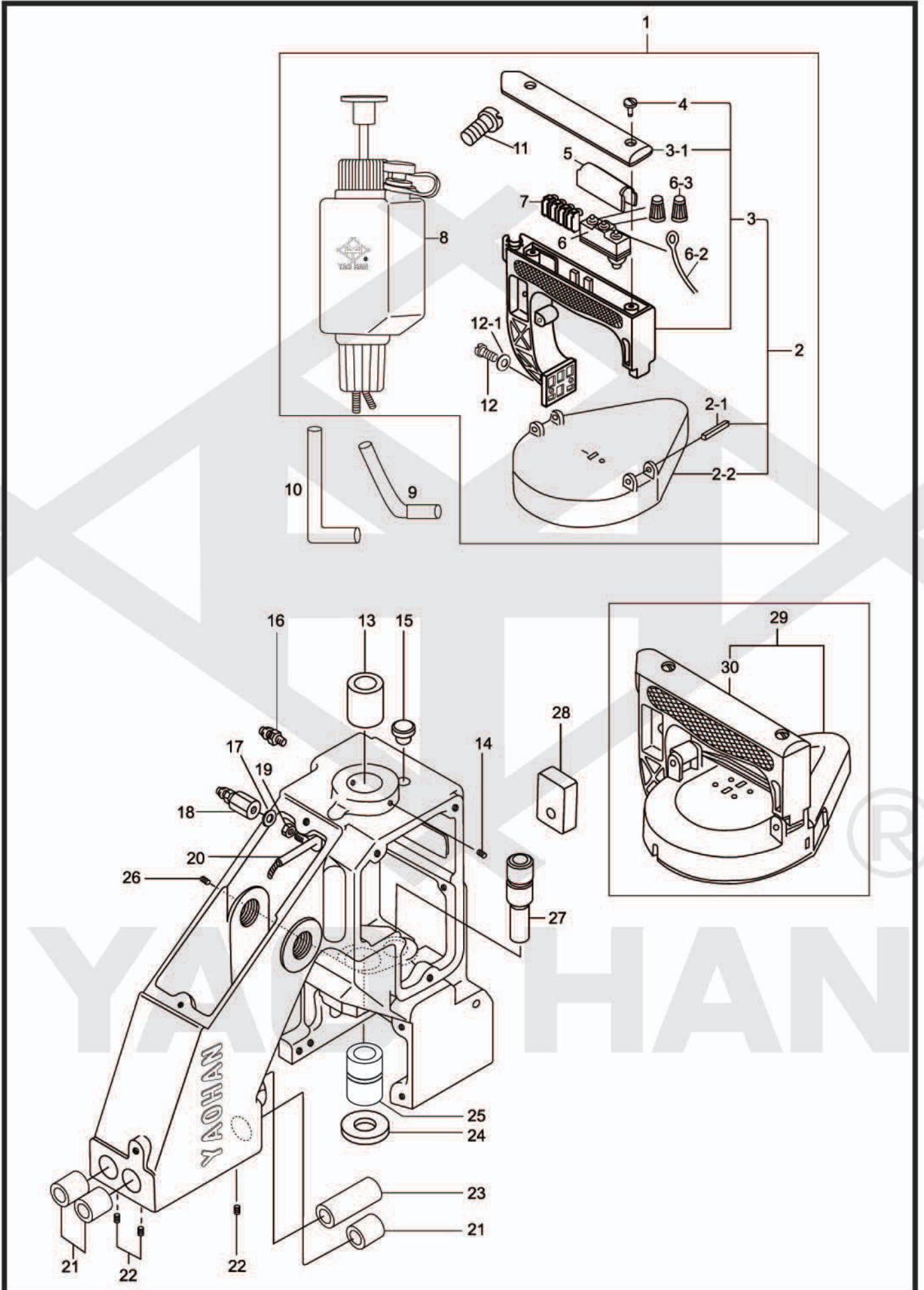
PORTABLE BAG CLOSER PARTS



PORTABLE BAG CLOSER PARTS

ITEM	PART NO.	DESCRIPTION		Q'ty
1	6022601-1	Thread stand base	線架	1
2	6001002	Screw	螺絲	2
4	6022601	Support	支架(雙線)	1
5	3001634	Thread cone clamping rod	線架螺栓	2
6	3001641	Nut	蝴蝶螺帽	2
7	6001005	Thread	線	4
10	6001020	Looper cover	彎針蓋	1
11	6001019	Screw	螺絲	3
12	6001006	Top cover	機台上蓋	1
13	6001007	Screw	螺絲	2
14	6022602	Thread eyelet holder	過線	1
15	6022615	Thread tension assembly	沙拉組	2
15-1	6001008	Thread eyelet	穿線	1
16	6001009	Screw	螺絲	1
17	6001010	Thread tension eyelet	沙拉組線	1
18	6001011	Thread tension assembly	沙拉組	1
19	6001012	Tension post	沙拉組軸	1
20	6001013	Tension disc	壓線盤	2
21	6001014	Tension spring	彈簧	1
21-1	6002621-1	Tension spring	彈簧	2
22	6001015	Tension nut	調整螺帽	1
22-1	6002622-1	Washer	華司	1
23	6001016	Screw	螺絲	1
24	6001017	Needle bar guard	針棒護板	2
25	6001023	Screw	螺絲	2
26	6001009	Screw	螺絲	1
27	6022603	Thread guide bushing	過線栓	1
28	6022604	Thread stand	置線盤	1
29	6001402	Screw	螺絲	1
30	6022606	Thread eyelet	過線(雙線)	1
31	6001009	Screw	螺絲	1
32	6001022	Slide plate	側面板	3
33	6001023	Screw	螺絲	1
34	6001024	Gasket	防油墊片	3
35	6001025	Inside cover	蓋板	1
36	6001023	Screw	螺絲	1
37	6001027	Nameplate	N602A 鋁牌(黑底)	1

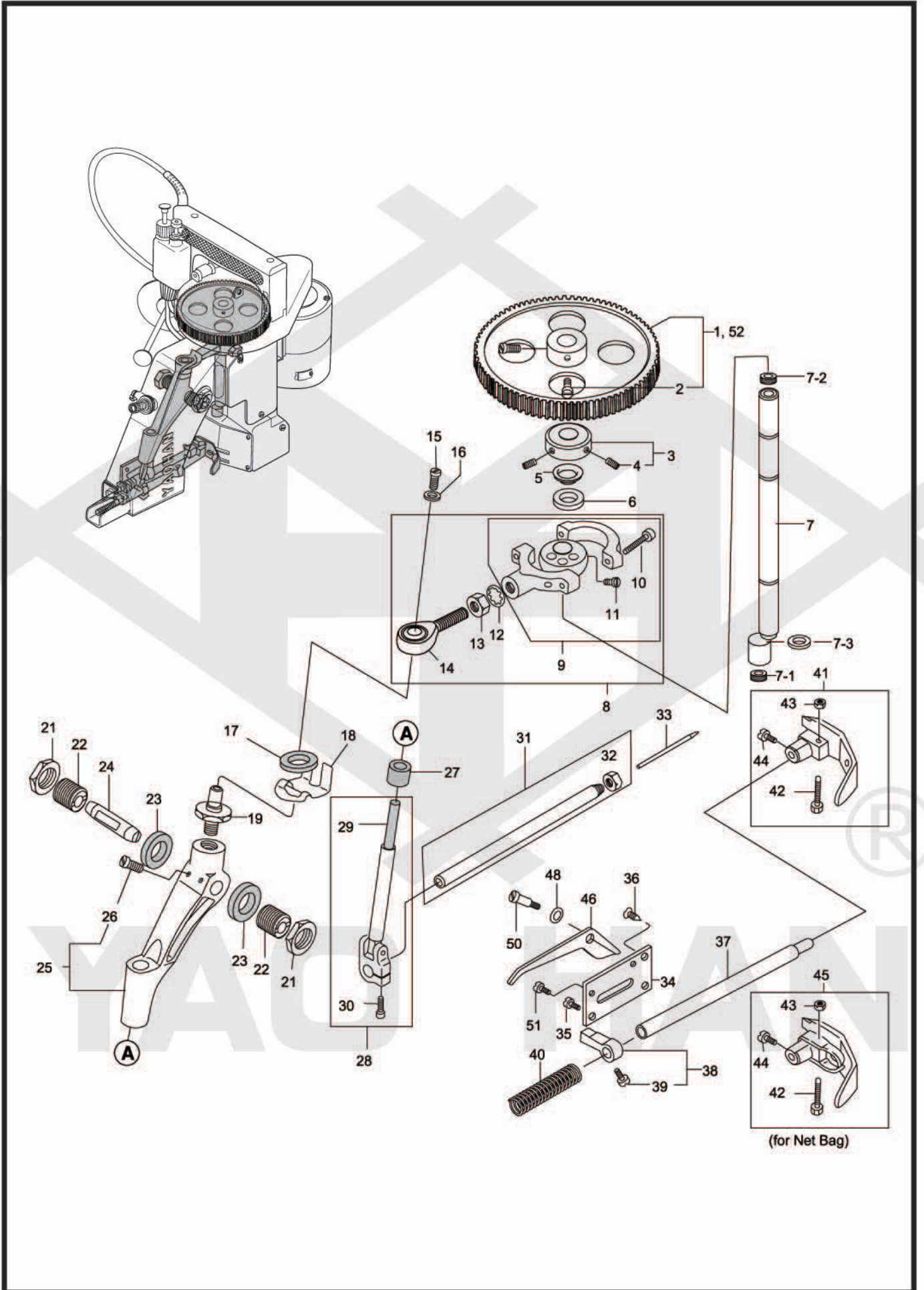
PORTABLE BAG CLOSER PARTS



PORTABLE BAG CLOSER PARTS

ITEM	PART NO.	DESCRIPTION	Q'ty	
1	6001201	Handle assembly with oiler switch	手把整組含泵浦開關	1
2	6001202	Handle assembly	把手組	1
2-1	6001202-1	Pin	握把銷	2
2-2	6001202-2	Cover	皮帶蓋	1
3	6001203	Handle	把手組	1
3-1	6001203-1	Cover handle	手把蓋	1
4	6001016	Screw	螺絲	2
5	6001205	Micro switch cover CE	微動開關CE蓋板	1
6	6001206	Micro switch (Z-15GK655-B)	微動開關	1
6-2	6001206-2	End plug wire	接線端子台	1
6-3	6001206-3	Nut wire	電線	2
7	6001207	Flexible terminal block (ML-S-1,4P) CE	電線	1
8	6001208N	Oiler	油泵浦整組	1
9	6001209	Oil tube, with oil felt (ϕ 6x95 L)	油管	
10	6001210	Oil tube, with oil felt (ϕ 6x100 L)	油管	1
11	6001430	Screw	螺絲	1
12	6001212	Screw	螺絲	2
12-1	6001212-1	Washer	華司	2
13	6001213	Main shaft bushing, rear	主軸	1
14	6001214	Screw	螺絲	1
15	6001215	Rubber bushing	橡膠頭	1
16	6001216	Joint	油嘴(BN-5-6)	2
17	6001217	Washer	華司	1
18	6001218	Joint	接頭	1
19	6001219	Nut	螺帽	1
20	6001220	Oil pipe	油管	3
21	6001221	Bushing	襯套環	3
22	6001222	Screw	螺絲	5
23	6001223	Presser bar bushing, lower	押棒套筒下	1
24	6001224	Oil felt	油棉	1
25	6001225	Main shaft bushing, rear	主軸	1
26	6001222	Screw	螺絲	1
27	6001227	Looper rocker shaft bushing	彎針帶動軸襯套	1
28	6001228	Oil felt	油棉	(1)
29	6001229	Handle assembly and switch	手把整組含開關	(1)
30	6001230	Handle and switch	手把含開關	

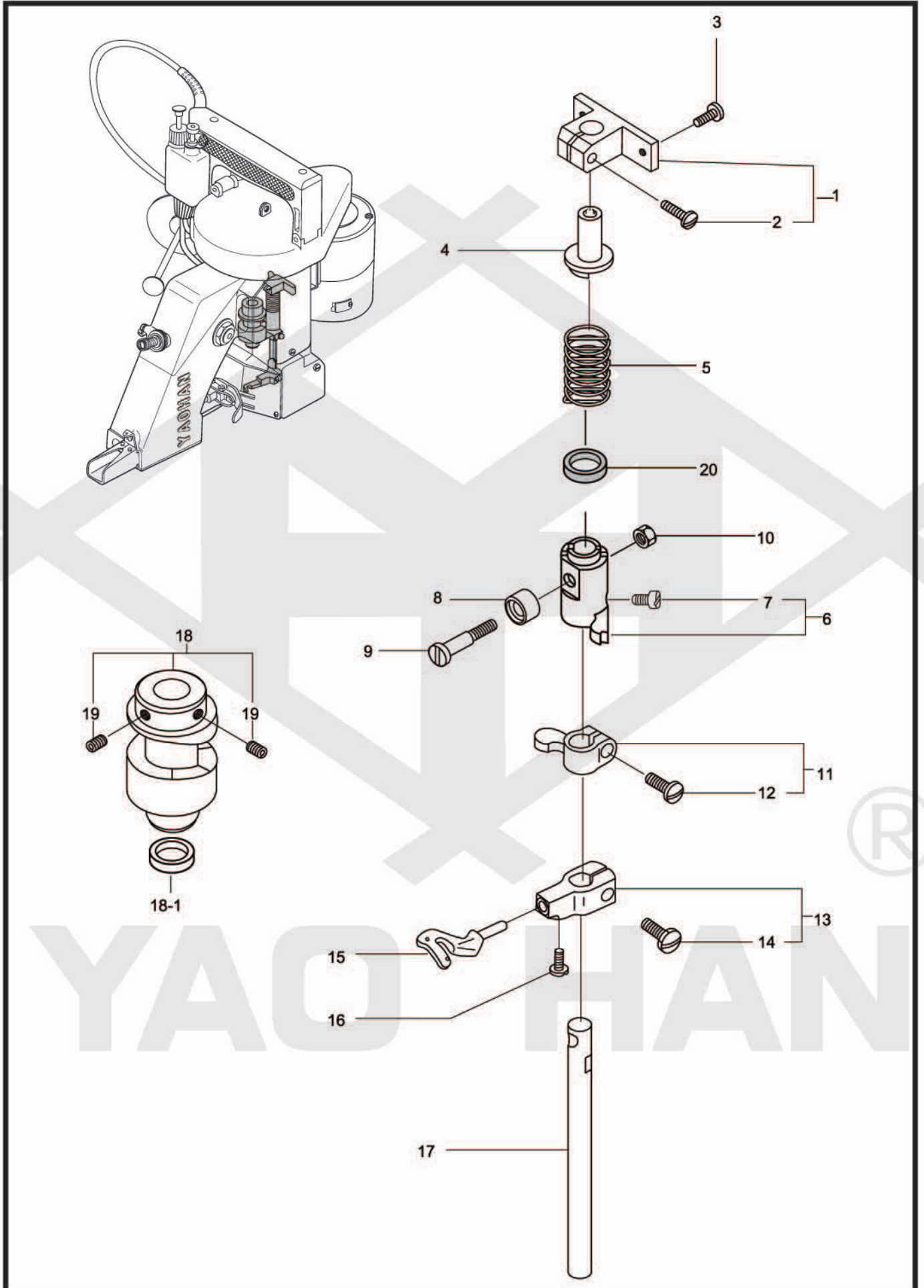
PORTABLE BAG CLOSER PARTS



PORTABLE BAG CLOSER PARTS

ITEM	PART NO.	DESCRIPTION		Q'ty
1	6001401	Synchro pulley (70 Teeth)	皮帶輪(70T)	1
2	6001402	Screw	螺絲	2
3	6001403	Retaining collar	固定環	1
4	6001404	Screw	固定環待鎖螺絲	2
5	6001405	Spacer	螺絲	1
6	6001224	Oil felt	套環	1
7	6001407	Main shaft	主軸	1
7-1	6001407-1	Screw	螺絲	1
7-2	6001407-2	Screw	螺絲	1
7-3	6001407-3	Oil felt	油棉	1
8	6001408	Connecting rod assembly	羊毛氈墊片	1
9	6001409	Connecting rod sub-assembly	連接桿	1
10	6001410	Screw	螺絲	2
11	6001411	Screw	螺絲	1
12	6001412	Washer	華司	1
13	6001413	Nut	螺帽	1
14	6001414	Rod end (POS-8)	魚眼軸承	1
15	6001415	Screw	螺絲	1
16	6001416	Washer	華司	1
17	6001417	Oil felt	油棉	1
18	6001418	Spring	固定片	1
19	6001419	Rod end stud	珠子軸	2
21	6001421	Nut	螺帽	2
22	6001422	Adjusting stud	調整梢	2
23	6001423	Oil felt	油棉	2
24	6001424	Needle bar lever stud	針棒拉基支架軸	1
25	6001425	Needle bar lever assembly	針棒拉基支架	2
26	6001426	Screw	螺絲	1
27	6001427	Oil felt	油棉	1
28	6001428	Needle bar connection assembly	針棒拉基組	1
29	6001429	Oil tube	油棉	1
30	6001430	Screw	螺絲	1
31	6001431	Needle bar with nut	針棒組	1
32	6001432	Needle clamp nut	針棒螺帽	1
33	6001433	Needle (DN x1 #25)	針(DN x1#25)	1
34	6001434	Presser foot lifter base	押腳上下基座	1
35	6001435	Screw	螺絲	2
36	6001436	Screw	螺絲	1
37	6001437	Presser bar	押棒	1
38	6001438	Presser bar connection	押棒拉基	1
39	6001430	Screw	螺絲	1
40	6001440	Presser spring	押奉彈簧	1
41	6001441	Presser foot assembly	押腳組	1
42	6001442	Screw	螺絲	1
43	6001443	Nut	押腳螺帽	1
44	6001444	Screw	螺絲	1
45	6001445	Presser foot assembly	押腳組	(1)
46	6001446	Presser foot lifter	押腳上下把手	(1)
48	6001448	"O" ring	O型油環	(1)
50	6001450	Screw	螺絲	(1)
51	6001451	Screw	螺絲	(1)
52	6001452	Synchro pulley (60 Teeth)	皮帶輪	(1)

PORTABLE BAG CLOSER PARTS

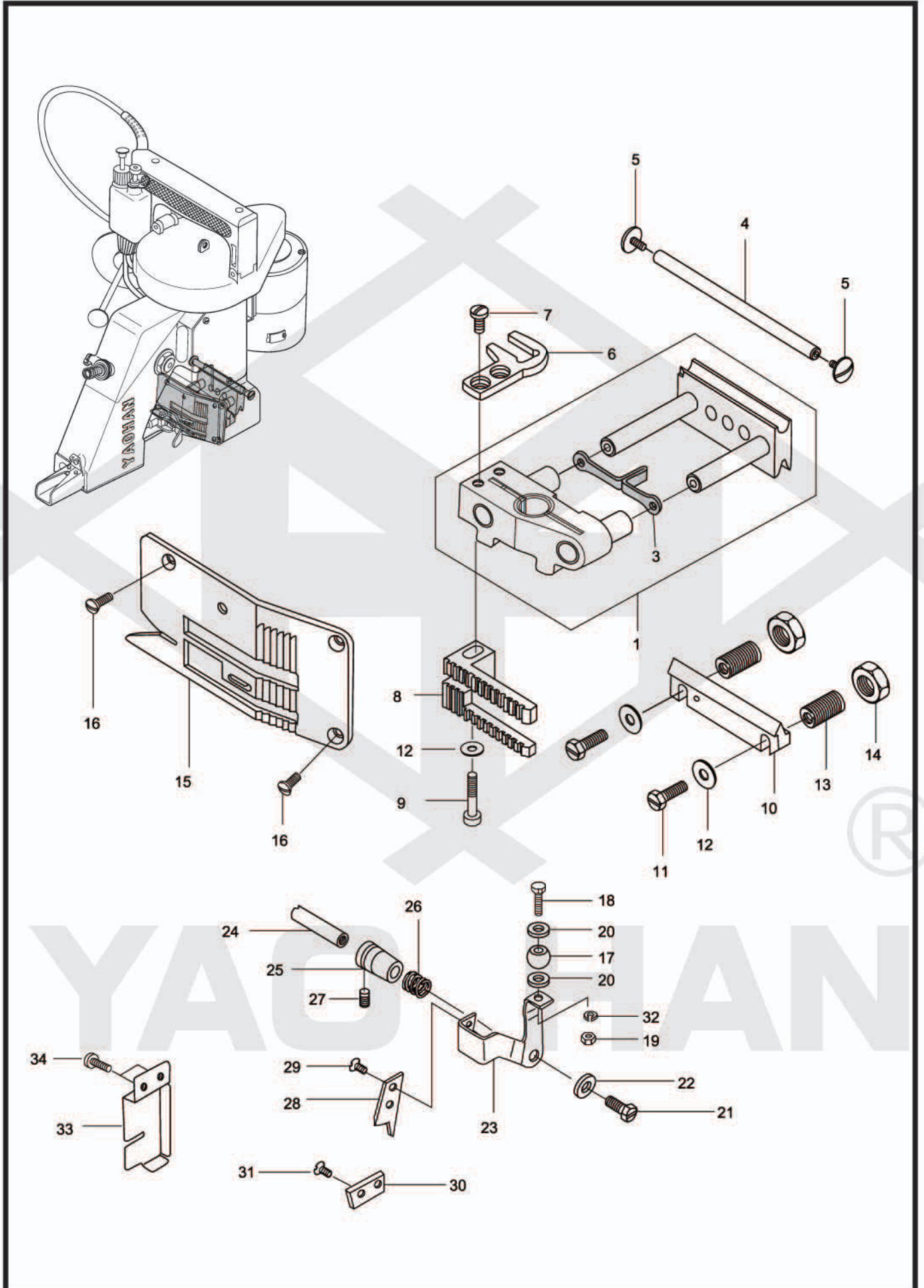


PORTABLE BAG CLOSER PARTS

ITEM	PART NO.	DESCRIPTION		Q'ty
1	6001601	Spring supporter block	彈簧調整架	1
2	6001602	Screw	螺絲	1
3	6001023	Screw	螺絲	2
4	6001604	Spring supporter	彈簧檔塊	1
5	6001605	Spring	彈簧	1
6	6001606	Looper rocker shaft arm (A)	彎針搖動臂	1
7	6001435	Screw	螺絲	1
8	6001608	Roller	凸輪珠子	1
9	6001609	Roller stud screw	螺絲	1
10	6001610	Nut	螺帽	1
11	6001611	Looper rocker shaft arm (B)	彎針搖動臂	1
12	6001612	Screw	螺絲	1
13	6001613	Looper rocker	彎針台	1
14	6001415	Screw	螺絲	1
15	6022607	Looper	彎針(雙線)	1
16	6001451	Screw	螺絲	1
17	6001617	Looper rocker shaft	彎針帶動軸	1
18	6001618	Looper drive cam	凸輪	1
18-1	6001618-1	Washer	華司	2
19	6001619	Screw	螺絲	2
20	6001224	Oil felt	油棉	1

YAO HAN

PORTABLE BAG CLOSER PARTS

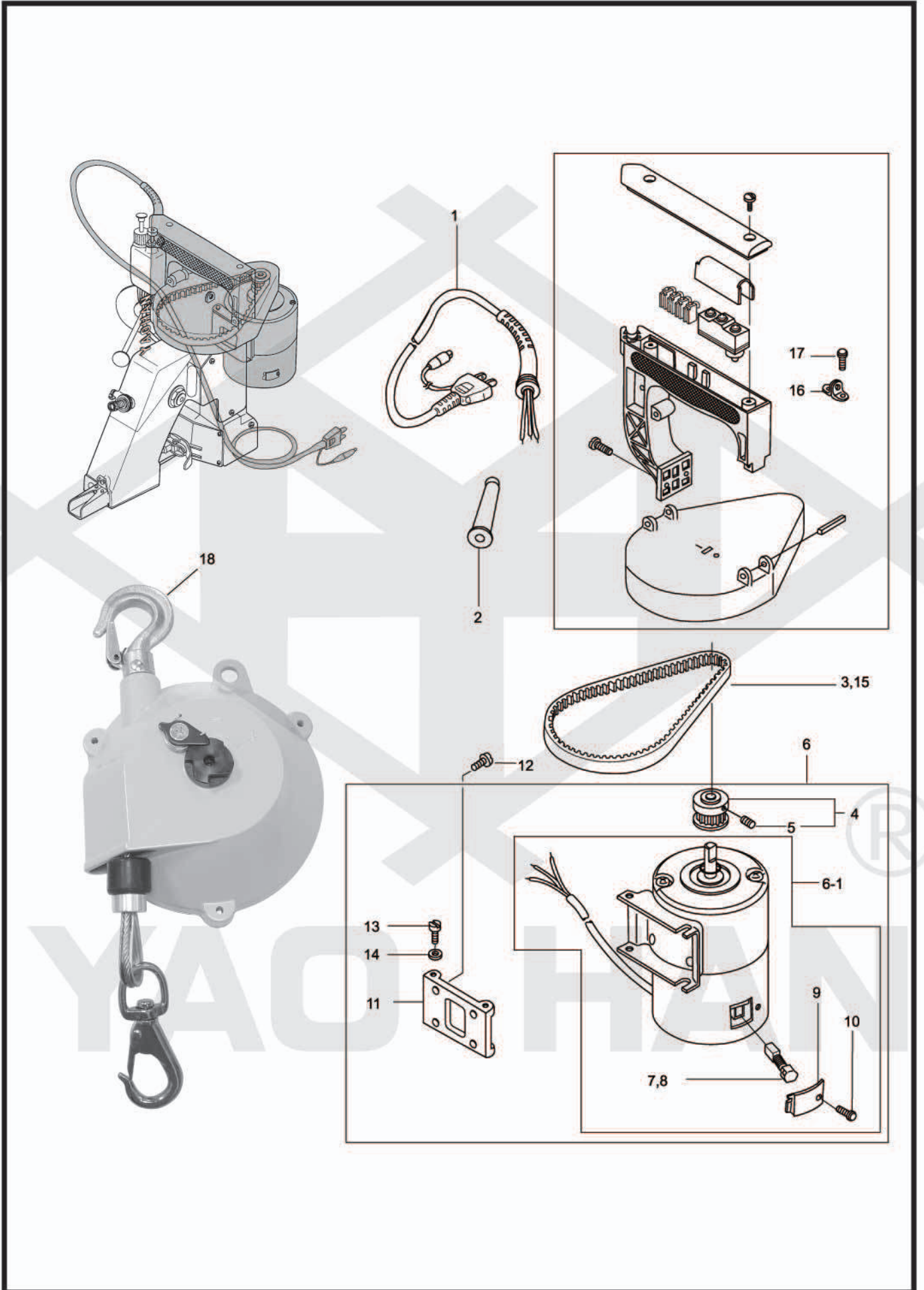


PORTABLE BAG CLOSER PARTS

ITEM	PART NO.	DESCRIPTION		Q'ty
1	6203812	Feed dog carrier block assembly	狗齒座	1
3	6001803	Oil felt	油棉	1
4	6001804	Slide block guide stud	滑棒	1
5	6001016	Screw	螺絲	2
6	6001806	Knife bracket extension	自動切線滑塊板	1
7	6001807	Screw	螺絲	2
8	6022801	Feed dog	狗齒	1
9	6001809	Screw	螺絲	1
10	6001810	Slide block adjusting	滑塊	1
11	6001811	Lock bolt	外六角螺絲	2
12	6001416	Washer	華司	1
13	6001813	Stud slide block adjusting support	調整螺絲	2
14	6001814	Lock nut	螺帽	2
15	6022802	Throat plate	針板	1
16	6001007	Screw	螺絲	3
17	6001817	Ball	珠子	1
18	6001818	Bolt	內六角承窩螺絲	1
19	6001819	Nut	螺帽	1
20	6001820	Washer	華司	2
21	6001821	Screw	螺絲	1
22	6001416	Washer	華司	1
23	6001823	Knife bracket	切刀托架	1
24	6001824	Knife bracket pin	切線銷	1
25	6001825	Bushing	襯套環	1
26	6001826	Knife tension spring	切刀架彈簧	1
27	6001222	Screw	螺絲	1
28	6001828	Knife moving	外切刀	1
29	6001829	Screw	螺絲	2
30	6001830	Knife stationary	內切刀	1
31	6001829	Screw	螺絲	2
32	6001832	Spring lock washer	扣環	1
33	6001008	Thread eyelet	穿線孔架	1
33	6001833	Knife cover	刀片蓋	1
34	6002017	Screw	螺絲	2

YAO HAN

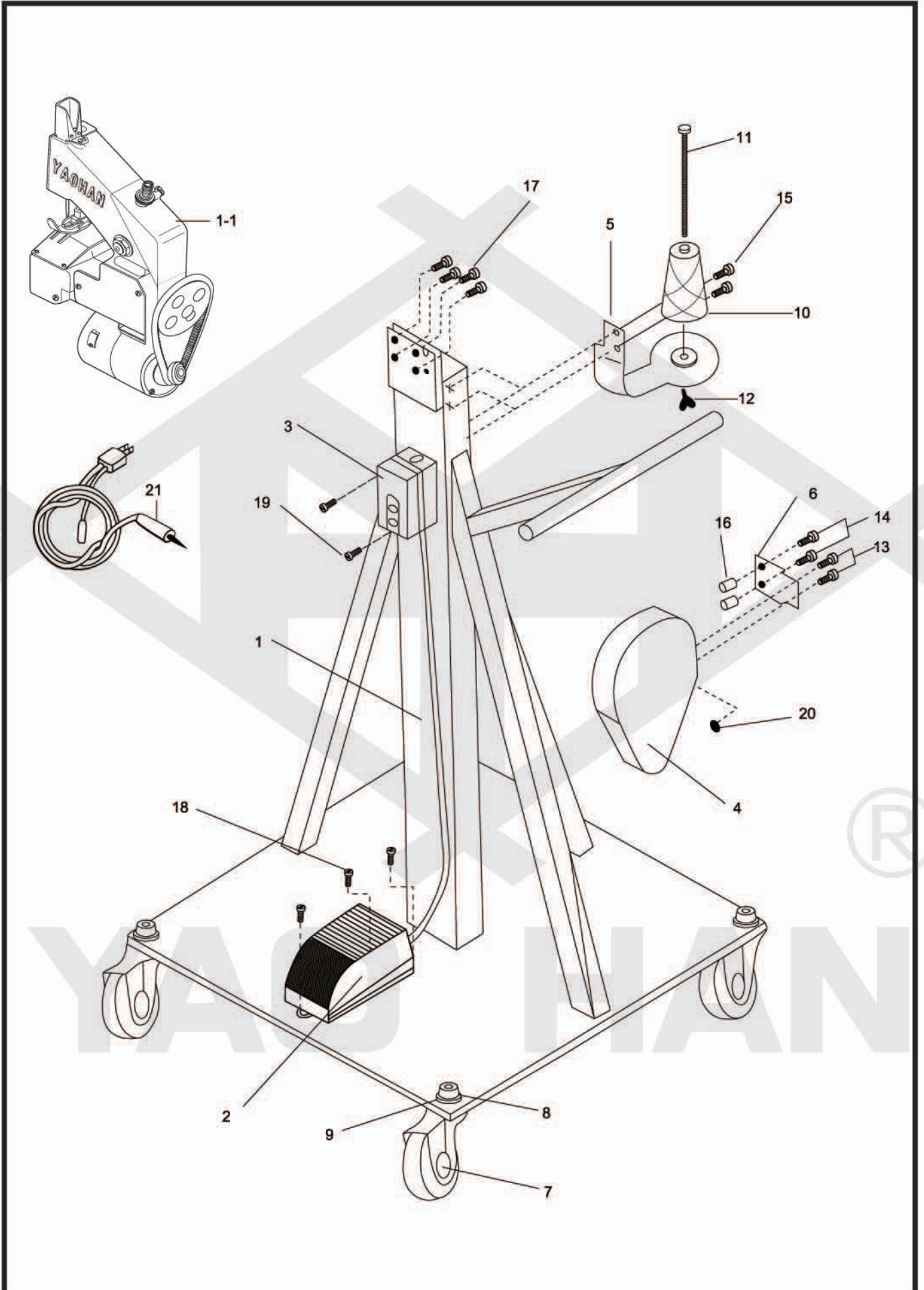
PORTABLE BAG CLOSER PARTS



PORTABLE BAG CLOSER PARTS

ITEM	PART NO.	DESCRIPTION	Q'ty
1	6002001	Cabtyer cord, with plug (plane type) 110V	電源線 1
	6002001-1	Cabtyer cord, with plug "CE"	電源線 1
	6002001-2	Cabtyer cord, 220V	電源線 1
	6002001-3	Cabtyer cord, with plug 12V	電源線
2	6002002	Rubber bushing	橡膠頭 1
3	6002003	Timing belt (160XL for N600H)	皮帶 1
4	6002004	Motor pulley	馬達普里 1
5	6002005	Screw	螺絲 2
6	6002006	Universal motor asm.(110V)	馬達組 1
	6002006-1	Universal motor asm.(220V)	馬達組 1
	6002006-2	Universal motor asm.(240V)	馬達組 1
	6002006-3	Universal motor asm.(24V)	馬達組 1
	6002006-4	Universal motor asm.(12V)	馬達組 1
	6002006-5	Universal motor (110V small)	小馬達組
6-1	6002006M	Universal motor (110V)	馬達組 1
	6002006-1M	Universal motor (220V)	馬達組 1
	6002006-2M	Universal motor (240V)	馬達組 1
	6002006-3M	Universal motor (24V)	馬達組 1
	6002006-4M	Universal motor (12V)	馬達組 1
	6002006-5M	Universal motor (110V small)	小馬達組
7	6002007	Carbon brush	碳刷 2
8	6002008	Carbon brush	碳刷 2
9	6002009	Cap	碳刷蓋 1
10	6002010	Screw (With washer)	螺絲 1
11	6002011-1	Motor base b (Alumimun type)	馬達座 1
	6002011-2	Motor base b (Metal type)	馬達座(高速) 1
12	6001212	Screw	螺絲 4
13	6001415	Screw	螺絲 4
14	6002014	Washer	華司 4
15	6002015	Timing belt (170XL)	皮帶 1
16	6002016	Hanger hook	吊鉤 1
17	6002017	Screw	螺絲 2
*18	SB-5K	Spring balance for 3-5kgs.	吊車 1
	SB-7K	Spring balance for 5-7kgs.	吊車 1
	SB-9K	Spring balance for 6-9kgs.	吊車 1

MOVED BAG CLOSER PARTS

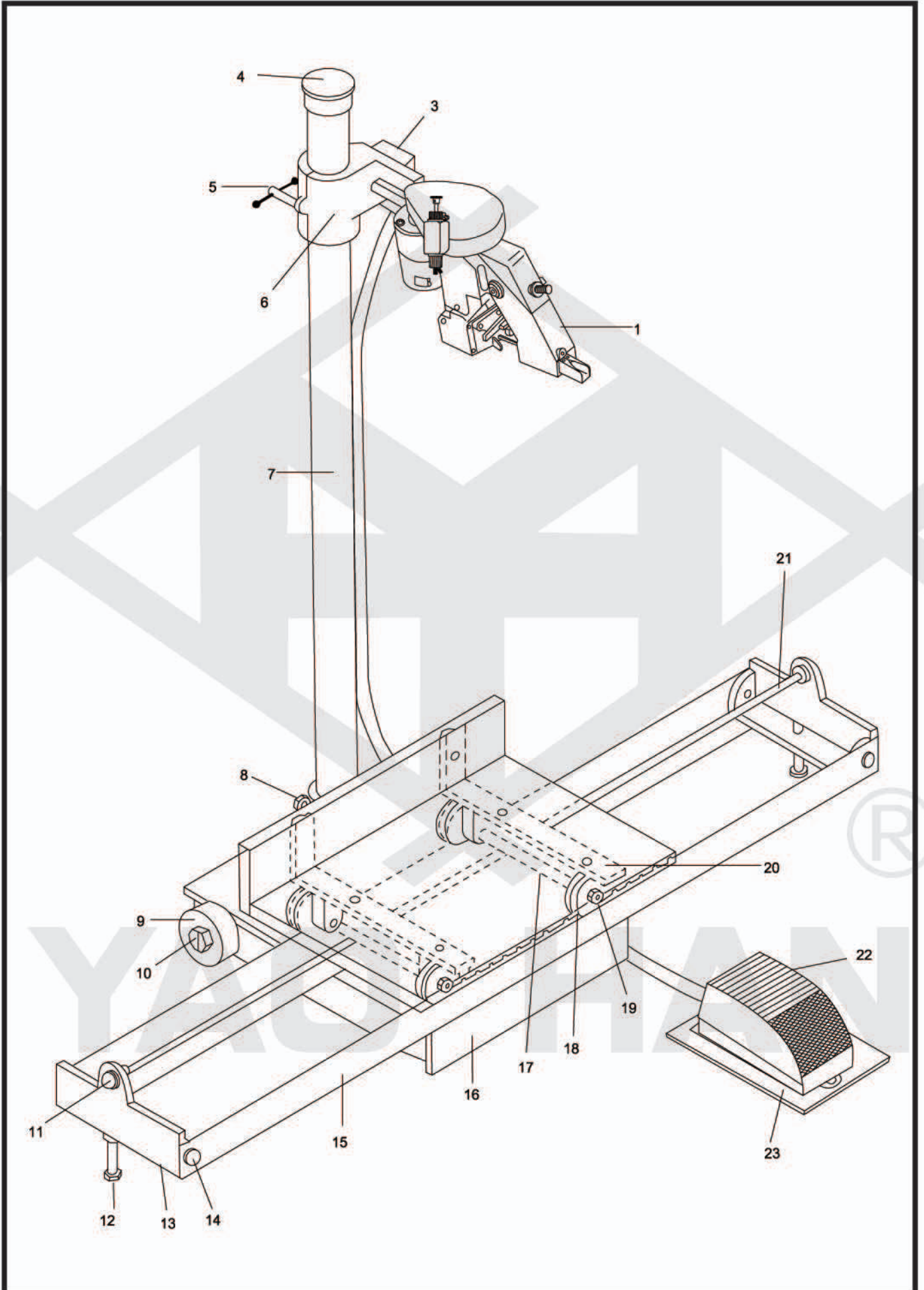


MOVED BAG CLOSER PARTS

ITEM	PART NO.	DESCRIPTION		Q'ty
1	MN6003001	Moved frame	主架(含配件)	1
1-1	MN6003001-1	Bag closer machine for MN600A-110V	車體	1
	MN6003001-2	Bag closer machine for MN600A-220V	車體	
	MN6003001-3	Bag closer machine for MN600A-240V	車體	
	MN6003001-4	Bag closer machine for MN602A-110V	車體	
	MN6003001-5	Bag closer machine for MN602A-220V	車體	
	MN6003001-6	Bag closer machine for MN602A-240V	車體	
2	MN6003002	Foot pedal	腳踏開關	1
3	MN6003003	Push button switch	二段式開關	1
4	MN6003004	Belt cover	皮帶蓋	1
5	6001001	Thread stand	固定板	1
6	MN6003006	Fixed plate	線架	1
7	MN6003007	Rubber wheel	輪子	4
8	MN6003008	Nut	螺帽	8
9	MN6003009	Washer	華司	4
10	6001005	Thread	線	1
11	6001004	Bolt thread clamping	蝴蝶螺帽	1
12	6001003	Nut wing 1/4"-20N.C.	線柱	1
13	MN6003013	Screw	螺絲	2
14	6001212	Screw	螺絲	2
15	6001002	Screw	螺絲	2
16	MN6003016	Bushing	套環	2
17	6001212	Screw	螺絲	4
18	6001402	Screw	螺絲	3
19	6001402	Screw	螺絲	2
20	MN6003020	Nut	螺帽	2
21	6002001	Cord, set for 110V	電源線	1
	6002001-1	Cord,set for "CE"	電源線	
	6002001-2	Cord,set for 220V, 240V	電源線	

YAO HAN

FILLED BAG CLOSER PARTS



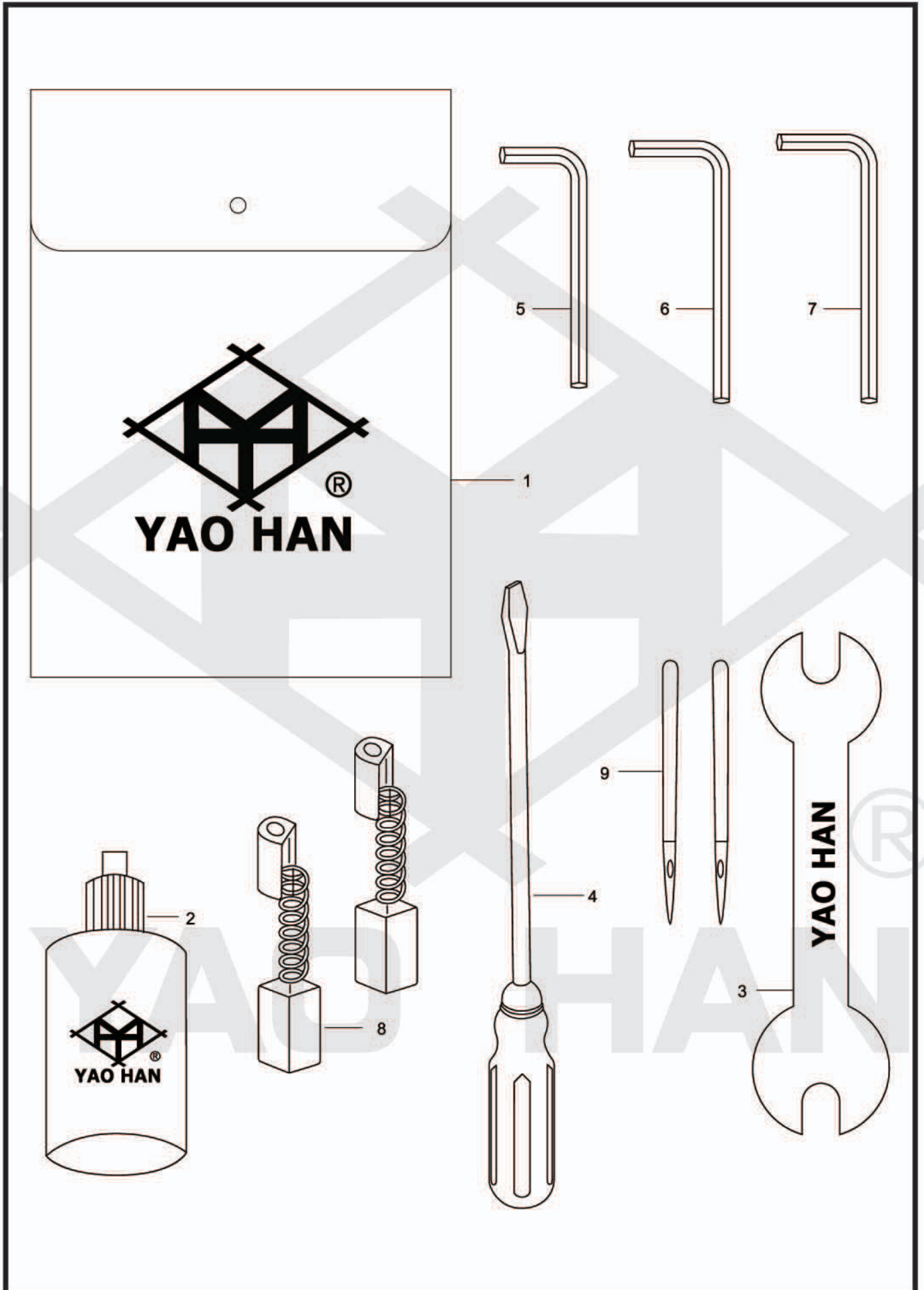
FILLED BAG CLOSER PARTS

ITEM	PART NO.	DESCRIPTION	Q'ty
1	FN6003201	Bag closer machine for FN600A-110V	車體 1
	FN6003201-1	Bag closer machine for FN600A-220V	車體
	FN6003201-2	Bag closer machine for FN600A-240V	車體
	FN6003201-3	Bag closer machine for FN6302A-110V	車體
	FN6003201-4	Bag closer machine for FN602A-220V	車體
	FN6003201-5	Bag closer machine for FN602A-240V	車體
2	FN6003202	Belt cover	皮帶蓋 1
3	FN6003203	Push botton switch	二段式開關 1
4	FN6003204	Plastic cap	塑膠蓋 1
5	FN6003205	Handle	把手 1
6	FN6003206	Adjustable crank set	可調整軸組 1
7	FN6003207	Main shaft	主軸 1
8	FN6003208	Screw	螺絲 2
9	FN6003209	Steel wheel	轉輪 2
10	FN6003210	Bolt	螺栓 2
11	FN6003211	Nut	螺帽 5
12	FN6003212	Screw	螺絲 2
13	FN6003213	Frame set	鐵架組 2
14	FN6003214	Screw	螺絲 4
15	FN6003215	Slide frame set	側鐵架 2
16	FN6003216	Base set	底座 1
17	FN6003217	Screw	螺絲 4
18	FN6003218	Slide wheel	側轉輪 4
19	FN6003219	Nut	螺帽 4
20	FN6003220	Fixed set	支架組 2
21	FN6003221	Screw shaft	螺軸 1
22	FN6003222	Pedal switch	踏板開關 1
23	FN6003223	Pedal base	腳踏板座 1



YAO HAN

PARTS



PARTS

ITEM	PART NO.	DESCRIPTION		Q'ty
1	6003401	Accessory bag	工具袋	1
2	6003402	Oiler	油壺(含針車油)	1
3	6003403	Spanner	開口板手	1
4	6003404	Screw driver	螺絲起子	1
5	6003405	Hex wrench 2.0mm	六角板手	1
6	6003406	Hex wrench 2.5mm	六角板手	1
7	6003407	Hex wrench 3.0mm	六角板手	1
8	6002007	Carbon brush	碳刷	2
	6002008	Carbon brush	碳刷	
9	6001433	Needle (DN x1 #25)	針	2

YAO HAN



YAO HAN



YAO HAN



耀瀚股份有限公司
YAO HAN INDUSTRIES CO., LTD.

<http://www.yaohan.com.tw>

YAO HAN (Taiwan) Head Office & Factory
No.31, Lane. 145, Fuying Rd., Xinzhuang Dist.,
New Taipei City 242, Taiwan
TEL : 886-2-2904-2223 FAX : 886-2-2903-3598
E-mail : es@yaohan.com.tw

YAO HAN(Hong Kong) Branch Office
7/F.,Airgoal Cargo Building, 330 Kwun Tong Road,
Kwun Tong, Kowloon, Hong Kong
TEL : 852-27508832 FAX : 852-27576433
E-mail : yaohan@yaohanhk.com

YAO HAN (China) Branch Office
201, Building 1, Lane 5, Zhuwan Village, Nanlian Community,
Longgang Street, Longgang District, Shenzhen City, China
TEL : 86-755-89359689 FAX : 86-755-89901057
E-mail : yaohan.cnws001@gmail.com

2014.11