

YAO HAN

手提式縫口袋機

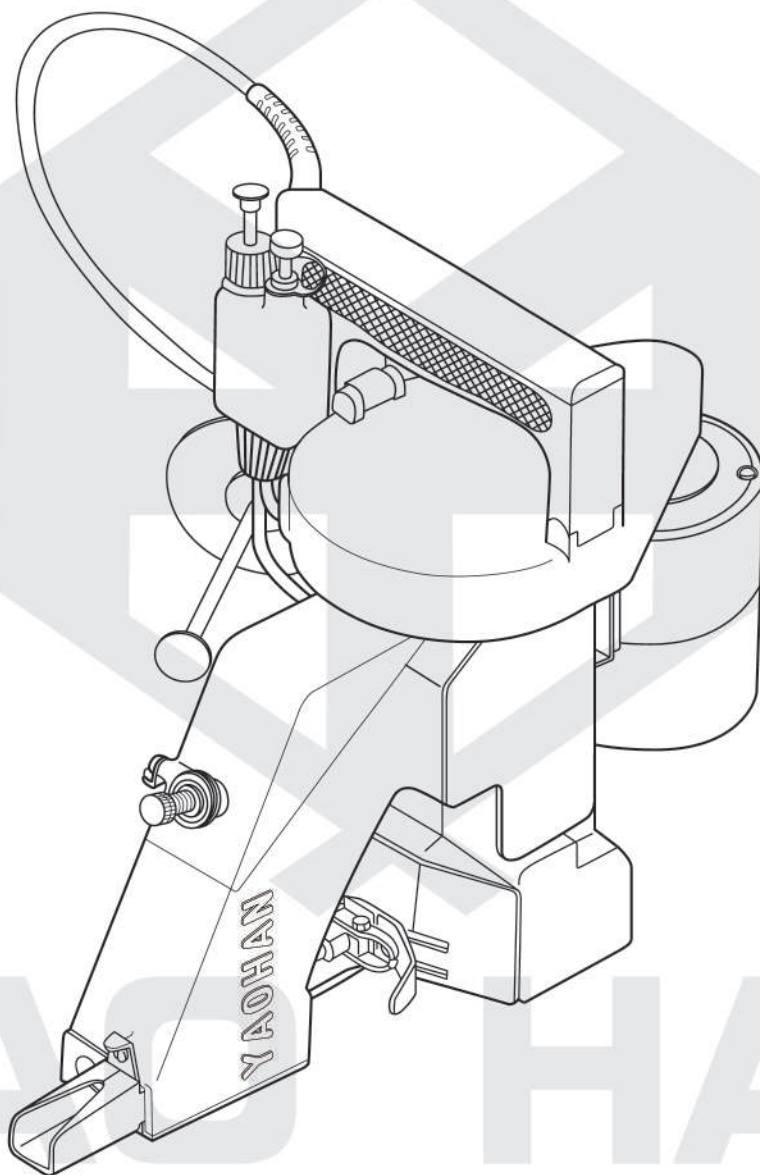
MODEL

N620A (TWO THREAD)
雙線

PORTABLE BAG CLOSER

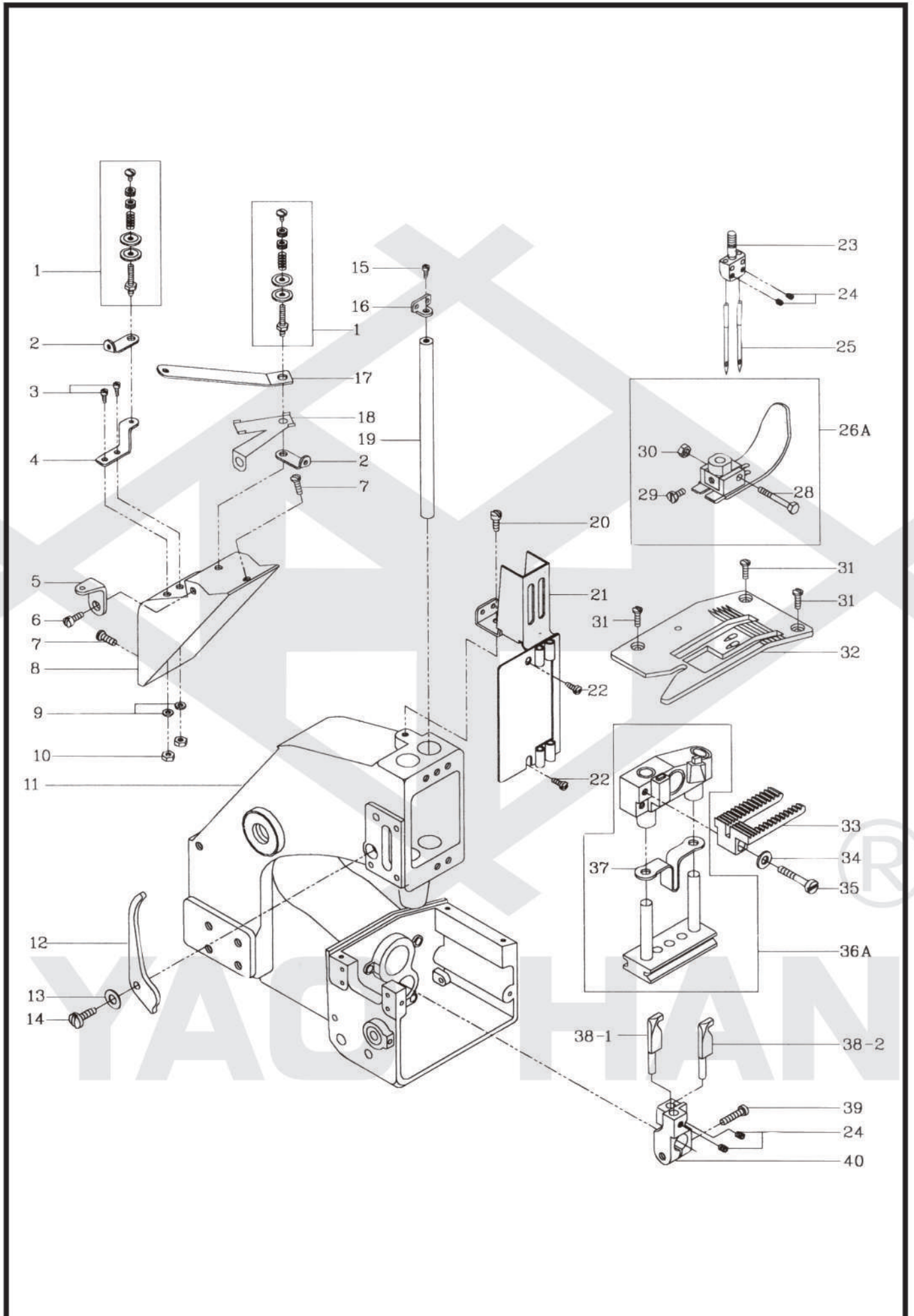
N620H (TWO THREAD, HIGH SPEED)
雙線, 高速

PARTS BOOK 零件本



耀瀚股份有限公司
YAO HAN INDUSTRIES CO., LTD.

THREAD TENSION, NEEDLE BAR, LOOPER DRIVING AND FEED DRIVING



THREAD TENSION, NEEDLE BAR, LOOPER DRIVING AND FEED DRIVING

ITEM	QTY	PART NO.	DESCRIPTION
01	2	6001011	THREAD TENSION ASSEMBLY
02	2	6001010	THREAD TENSION EYELET
03	2	6001430	SCREW
04	1	6203801	THREAD TENSION EYELET
05	1	6001008	THREAD TENSION EYELET
06	1	6001009	SCREW
07	1	6001007	SCREW
08	1	6203802	TOP COVER
09	2	6001416	WASHER
10	2	6001610	NUT
11	1	6001001-1	MAIN FRAME
12	{1}	6203803	PRESSER FOOT LIFTER
13	{1}	6001448	"O" RING
14	{1}	6001450	SCREW
15	1	6001009	SCREW
16	{1}	6203804	THREAD TENSION EYELET
17	1	6022606	THREAD TENSION EYELET
18	1	6022602	THREAD TENSION EYELET
19	1	6203805	NEEDLE BAR
20	1	6001009	SCREW
21	1	6203806	NEEDLE BAR GUARD
22	2	6001023	SCREW
23	1	6203807	NEEDLE HOLDER
24	4	6203808	SCREW
25	2	3001226	NEEDLE
26A	1	6203809	PRESSER FOOT
28	1	6001442	SCREW
29	1	6001444	SCREW
30	1	6001443	NUT
31	3	6001007	SCREW
32	1	6203810	THROAT PLATE
33	1	6203811	FEED DOG
34	1	6001416	WASHER
35	1	6001809	STUD SLIDE BLOCK AJUSTING SUPPORT
36A	1	6203812	FEED DOG CARRIER BLOCK ASSEMBLY
37	1	6001803	OIL FELT
38-1	2	6001615-1A	LOOPER
38-2	2	6001615-B	LOOPER
39	1	6001415	SCREW
40	1	6203814	LOOPER ROCKER



YAO HAN



YAO HAN



耀瀚股份有限公司
YAO HAN INDUSTRIES CO., LTD.

<http://www.yaohan.com.tw>

YAO HAN (Taiwan) Head Office & Factory
No.27、29、31, Lane. 145, Fuying Rd.,
Xinzhuan Dist., New Taipei City 242, Taiwan
TEL : 886-2-2904-2223 FAX : 886-2-2903-3598
E-mail : es@yaohan.com.tw

YAO HAN(Hong Kong) Branch Office
7/F.,Airgoal Cargo Building, 330 Kwun Tong Road,
Kwun Tong, Kowloon, Hong Kong
TEL : 852-27508832 FAX : 852-27576433
E-mail: yaohan@yaohanhk.com

YAO HAN (China) Branch Office
201, Building 1, Lane 5, Zhuwan Village, Nanlian Community,
Longgang Street, Longgang District, Shenzhen City, China
TEL : 86-755-89359689 FAX : 86-755-89901057
E-mail: yaohan.cnws001@gmail.com