

# YAO HAN

高速自動加油系統縫袋口機

MODEL

HIGH SPEED BAG CLOSING MACHINE  
WITH AUTO-LUBRICATION SYSTEM

**N980A** (1-NEEDLE)

**PARTS BOOK** 零件本

**N980AC** (1-NEEDLE)

**N980AP** (1-NEEDLE)

**N980AW** (2-NEEDLE)

**N980ACW** (2-NEEDLE)



耀 瀚 股 份 有 限 公 司  
YAO HAN INDUSTRIES CO., LTD.

2015.01





**F300A**  
單線  
1-thread



**F302A**  
雙線  
2-thread

**規格 Specifications**

機種 Model	線數 Thread	縫速 Speed	縫距 Stitch	使用針 Needle	切線 Cutter	淨重 N.W.	毛重 G.W.
F300A	1	300 ~ 400	7.2 mm	FD - 5	機動切線	5.9 kg	7.3 kg
F302A	2	Bags/Hour	7.2 mm	# 25	Mechanical Thread Cutter	6.4 kg	7.8 kg
MF300A	1	300 ~ 400	7.2 mm	FD - 5	機動切線	26.1 kg	29.6 kg
MF302A	2	Bags/Hour	7.2 mm	# 25	Mechanical Thread Cutter	26.4 kg	29.9 kg
N600A	1	250 ~ 350	7.2 mm	DN x 1	機動切線	6.1 kg	7.5 kg
N602A	2	Bags/Hour	7.2 mm	# 25	Mechanical Thread Cutter	6.7 kg	8.1 kg
N600H	1	350 ~ 450	7.2 mm	DN x 1	機動切線	6.3 kg	7.7 kg
N602H	2	Bags/Hour	7.2 mm	# 25	Mechanical Thread Cutter	6.9 kg	8.3 kg
N600AC	1	250 ~ 350	7.2 mm	DN x 1	手動切線、紙帶	7.5 kg	8.9 kg
N602AC	2	Bags/Hour	7.2 mm	# 25	Manual Tape Cutter	8.1 kg	9.5 kg
N620A	2	250 ~ 350 Bags/Hour	7.2 mm	FD - 5 # 25	機動切線 Mechanical Thread Cutter	6.6 kg	8.2 kg
N640A	4	250 ~ 350 Bags/Hour	7.2 mm	FD - 5 # 25	機動切線 Mechanical Thread Cutter	7.0 kg	8.6 kg
FN600A	1	200 ~ 300	7.2 mm	DN x 1	機動切線	55.1 kg	59.2 kg
FN602A	2	Bags/Hour	7.2 mm	# 25	Mechanical Thread Cutter	55.5 kg	59.6 kg
MN600A	1	200 ~ 300	7.2 mm	DN x 1	機動切線	26.3 kg	29.8 kg
MN602A	2	Bags/Hour	7.2 mm	# 25	Mechanical Thread Cutter	26.7 kg	30.2 kg
N320A	2	160 ~ 230 Bags/Hour	8.5 mm	DN x 1 # 25	機動切線 Mechanical Thread Cutter	7.2 kg	8.6 kg

馬達 Drive motor 90W 50 / 60Hz, 1ph / 12V, 24V, 110V, 115V, 220V, 230V, or 240V  
( 敬請指定 Please specify one when order )



**N600A · N600H**  
單線  
1-thread  
單線高速  
1-thread  
High Speed



**N602A · N602H**  
雙線  
2-thread  
雙線高速  
2-thread  
High Speed

雙線特厚料縫袋機  
Bag Closer for Heavy Use



**N320A**  
雙線 2-thread

加附喇叭及切刀縫袋口機  
Equipped Tapping Attachment



**N600AC · N602AC**  
單線 1-thread  
雙線 2-thread



**N620A**  
雙針雙線  
2-needle 2-thread



**N640A**  
雙針四線  
2-needle 4-thread

活動式縫袋口機

Moved Closing machine

**MN600A MF300A**  
**MN602A MF302A**



滑板式縫袋口機

Sliding Board Closing machine

**FN600A · FN602A**  
單線 1-thread  
雙線 2-thread



台灣專利號碼：M425132  
TAIWAN patent NO. : M425132

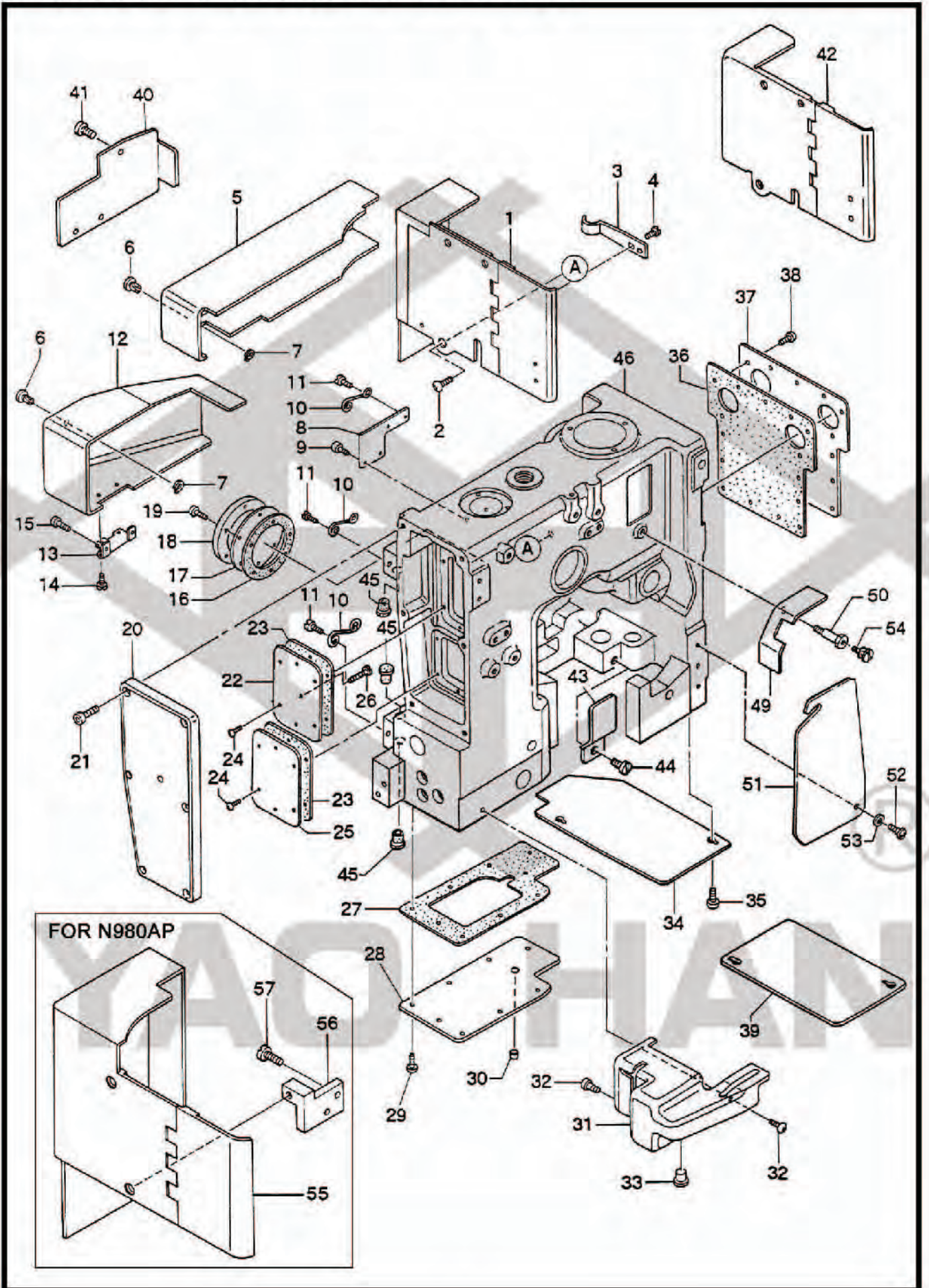


# CONTENTS

1.	機殼外部零件 MISCELLANEOUS COVERS PARTS	1
2.	沙拉組&加油系統 THREAD TENSION & OILING PARTS	2
3.	套筒零件 BUSHING PARTS	3
4.	針棒&驅動軸零件 NEEDLE BAR & CRANK SHAFT PARTS	4
5.	壓腳配件 PRESSER FOOT PARTS	5
6.	鈎針&連桿零件 LOOPER ROCKER & CONNECTING ROD PARTS	6
7.	送料送布齒&針板 FEED DRIVING & THROAT PLATE PARTS	7
8.	切刀組 CUTTER PARTS (FOR N980AC, N980ACW)	8
9.	切刀組 CUTTER PARTS (FOR N980A, N980AW)	9
10.	沙拉組&油壺 THREAD TENSION & NEEDLE THERAD OILER (FOR N980AW, N980ACW)	10
11.	專用零件 PARTS (FOR N980AW, N980ACW)	11
12.	工具包 ACCESSORIES	12



1. 機殼外部零件 MISCELLANEOUS COVERS PARTS



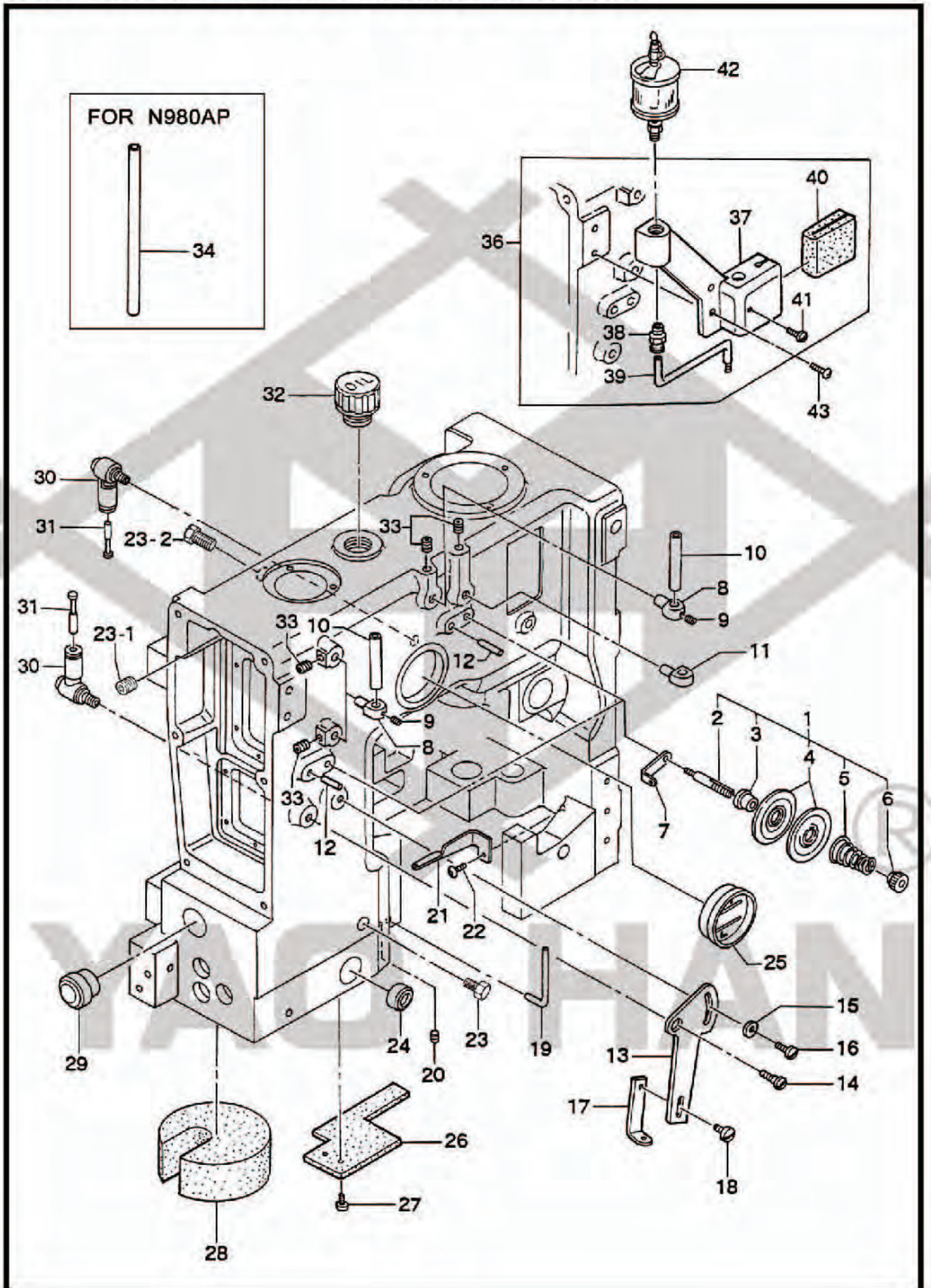


1. 機殼外部零件 MISCELLANEOUS COVERS PARTS

ITEM	PART NO.	DESCRIPTION	
1	@ 9800101	CLOTH PLATE	蓋板
2	9800102	SCREW	螺絲
3	9800103	CLOTH PLATE SPRING	彈簧
4	6001009	SCREW	螺絲
5	9800105	CYLINDER COVER	蓋板
6	9800106	FASTENER HEAD	定位螺絲
7	9800107	STOP RING	C型扣環
8	9800108	FASTENER SPRING BASE	蓋板
9	9800109	SCREW	螺絲
10	9800110	FASTENER SPRING	彈簧
11	9800111	SCREW	螺絲
12	@ 9800112	CUTTER COVER	蓋板
13	@ 9800113	HINGE	合葉
14	@ 9800111	SCREW	螺絲
15	@ 6001009	SCREW	螺絲
16	9800116	GASKET	墊片
17	9800117	SIDE COVER	防塵板
18	9800118	SIDE COVER RETAINER	蓋板
19	9800119	SCREW	螺絲
20	9800120	BODY HEAD COVER	主體上蓋
21	9800121	SCREW	螺絲
22	9800122	TOP COVER A	蓋板
23	9800123	GASKET	墊片
24	9800119	SCREW	螺絲
25	9800125	TOP COVER B	蓋板
26	9800126	SCREW	螺絲
27	9800127	GASKER	墊片
28	9800128	FACE PLATE, UPPER	蓋板
29	9800129	SCREW	螺絲
30	9800130	PLUG	孔栓
31	9800131	NEEDLE BAR COVER	針棒蓋板
32	9800132	SCREW	螺絲
33	6001215	RUBBER BUSHING	橡膠頭
34	@ 9800134	FACE PLATE, LOWER	蓋板
35	9800135	SCREW	螺絲
36	9800136	GASKET	墊片
37	9800137	INSIDE COVER	蓋板
38	9800138	SCREW	螺絲
39	# 9800139	FACE PLATE, LOWER	蓋板
40	●# 9800140	SIDE COVER	蓋板
41	# 6001009	SCREW	螺絲
42	# 9800142	CLOTH PLATE	蓋板
43	9800143	LOOPER THREAD COVER	彎針護蓋
44	6001009	SCREW	螺絲
45	# 9800145	RUBBER BUSHING	孔塞
46	9800146	MAIN FRAME	主體
49	9800149	LOOPER THREAD TAKE-UP COVER B	頂蓋
50	9800150	POST	螺栓
51	9800151	LOOPER THREAD TAKE-UP COVER A	頂蓋
52	9800152	SCREW	螺絲
53	9800153	WASHER	O型環
54	9800154	SCREW	螺絲
55	● 9800155	CLOTH PLATE	蓋板
56	● 9800156	CLOTH PLATE BASE	蓋板座
57	● 9800407	SCREW	螺絲
#	FOR N980A		
@	FOR N980AC		
●	FOR N980AP		



2. 沙拉組&加油系統 THREAD TENSION & OILING PARTS





## 2. 沙拉組&amp;加油系統 THREAD TENSION &amp; OILING PARTS

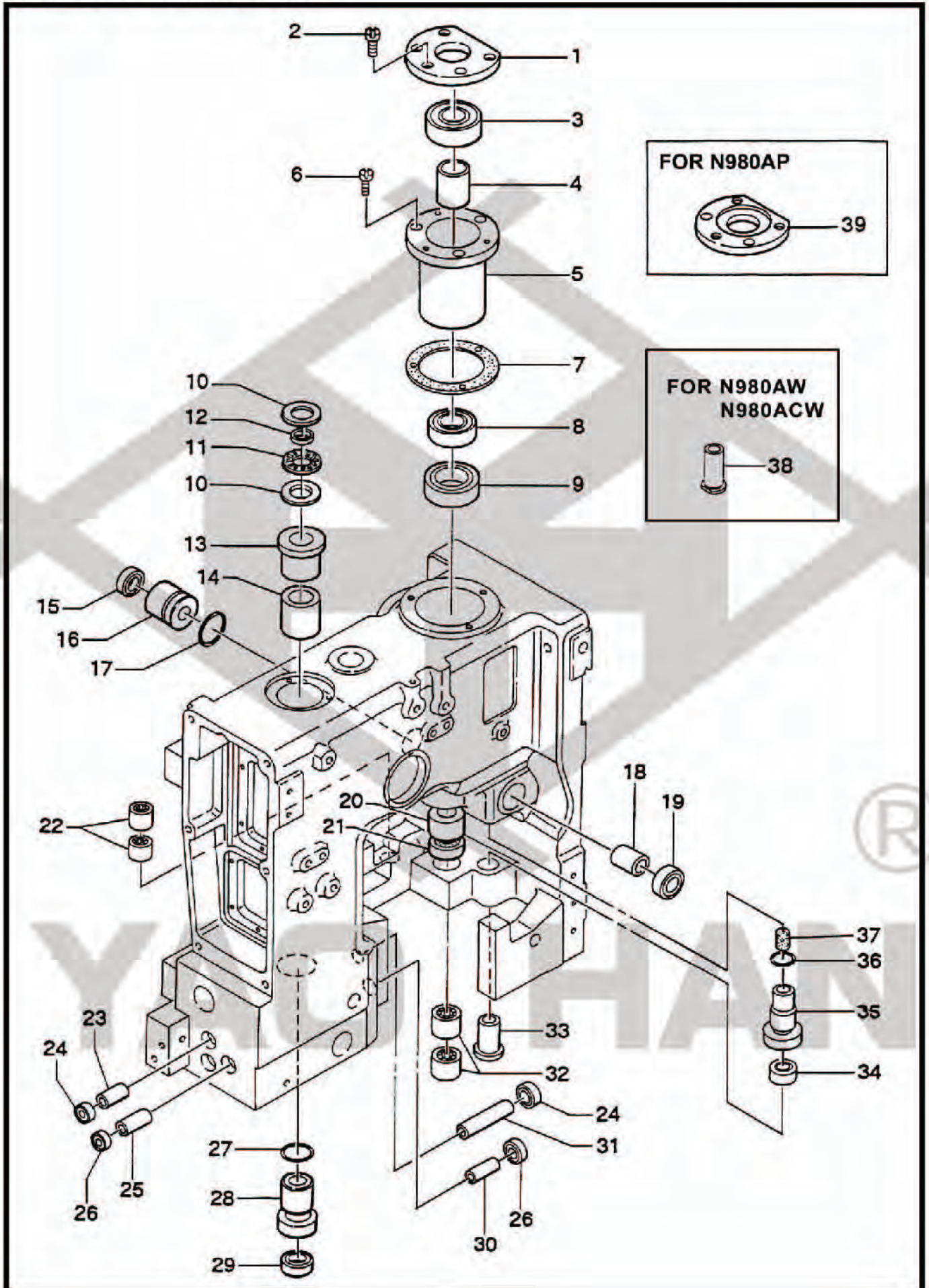
ITEM	PART NO.	DESCRIPTION	
1	9800201	THREAD TENSION ASM.	沙拉組
2	9800202	TENSION POST	沙拉心
3	9800203	TENSION POST FERRULE	套環
4	9800204	TENSION DISC	沙拉片
5	9800205	TENSION SPRING	彈簧
6	9800206	TENSION NUT	調整螺母
7	6001010	THREAD GUIDE	沙拉組線孔架
8	9800208	FRAME THREAD EYELET SUPPORT	過線座
9	9800209	SCREW	螺絲
10	9800210	FRAME THREAD EYELET	過線管
11	9800211	FRAME THREAD EYELET	過線座
12	9800212	TENSION DISC STOP PIN	定位梢
13	9800213	NEEDLE THREAD CONTROLLER A	過線調整板
14	9800214	SCREW	螺絲
15	6001416	WASHER	華司
16	6001435	SCREW	螺絲
17	9800217	NEEDLE THREAD CONTROLLER B	過線調整板
18	6001016	SCREW	螺絲
19	9800219	NEEDLE THREAD GUIDE	過線
20	9800220	SCREW	螺絲
21	9800221	LOOPER THREAD GUIDE	過線
22	9800222	SCREW	螺絲
23	9800223	SCREW	螺絲(有頭-鋼印"OIL"字樣)
23-1	9800223-1	SCREW	螺絲(無頭)
23-2	9800223-2	SCREW	螺絲(有頭/無字樣)
24	9800224	OIL GAUGE	油標
25	9800225	OIL GAUGE	油標
26	9800226	FELT	白色羊毛氈 4.5M/M
27	9800227	SCREW	螺絲
28	9800228	FENCE	35T白色泡綿墊
29	9800229	RUBBER BUSHING	油孔栓
30	9800230	TUBE FITTING, ELBOW	氣壓閥
31	9800231	TUBE FITTING, PLUG	氣壓閥栓
32	9800232	PLUG	油箱蓋
33	9800220	SCREW	螺絲
34	● 9800134	FACE PLATE, LOWER	蓋板
36	* 9800236	NEEDLE THREAD OILER ASM.	針棒注油組
37	* 9800237	NEEDLE THREAD OILER BASE	針棒注油座
38	* 9800238	TUBE FITTING, STRAIGHT	接頭
39	* 9800239	OIL TUBE	油管
40	* 9800240	FELT	毛氈
41	* 6001023	SCREW	螺絲
42	* 9800242	OILER	注油壺
43	* 9800138	SCREW	螺絲

● FOR N980AP

\* SPECIAL ORDER



3. 套筒零件 BUSHING PARTS





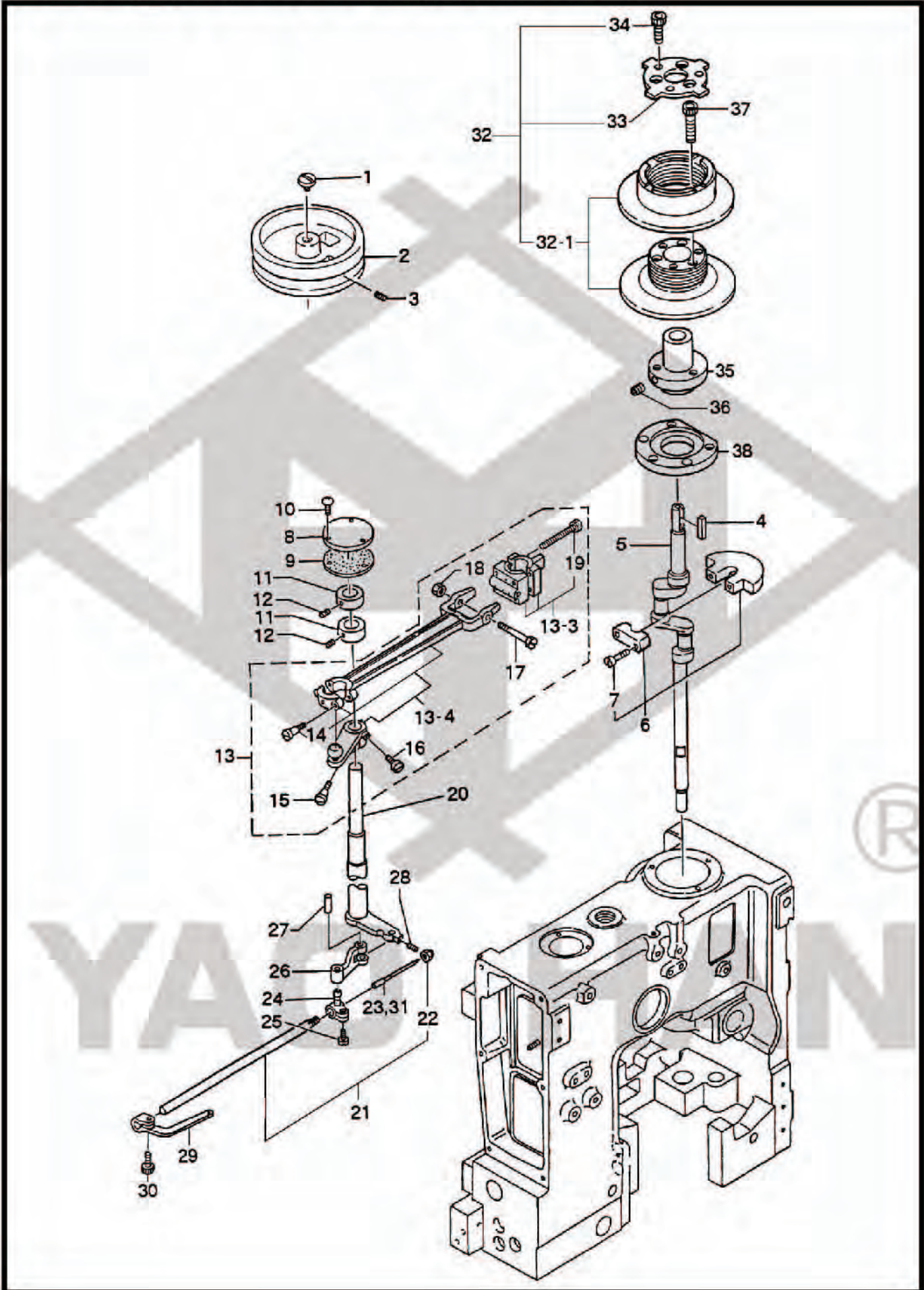
3. 套筒零件 BUSHING PARTS

ITEM	PART NO.	DESCRIPTION	
1	9800301	BEARING HOLDER	軸承座
2	9800302	SCREW	螺絲
3	9800303	BALL BEARING	NSK 軸承
4	9800304	COLLAR A	套管 A
5	9800305	CRANK SHAFT BUSHING HOUSING	套筒
6	3200622	SCREW	螺絲
7	9800307	GASKET	墊片
8	9800308	BALL BEARING	NSK 軸承
9	9800309	OIL SEAL	油封
10	9800310	THRUST WASHER	墊片
11	9800311	THRUST BEARING	軸承
12	9800312	RING, PILOT	套環
13	9800313	ARM ROCKER SHAFT BUSHING, REAR	套筒
14	9800314	ARM ROCKER SHAFT BUSHING, MIDDLE	套管
15	9800315	OIL SEAL	油封
16	9800316	LOOPER DRIVE LEVER SHAFT BUSHING, REAR	控制桿軸套筒
17	9800317	"O" RING	O型環
18	9800318	LOOPER DRIVE LEVER SHAFT BUSHING, FRONT	控制桿軸套筒
19	9800319	OIL SEAL	油封
20	9800320	CRANK SHAFT BUSHING, MIDDLE	軸承套管
21	9800321	OIL SEAL	油封
22	9800322	NEEDLE BEARING	針狀軸承
23	9800323	PRESSER BAR BUSHING, UPPER	押棒套筒
24	9800324	OIL SEAL	油封
25	9800325	NEEDLE BAR BUSHING, UPPER	針棒套筒
26	9800326	OIL SEAL	油封
27	9800317	"O" RING	O型環
28	9800328	ARM ROCKER SHAFT BUSHING, FRONT	套管
29	9800329	OIL SEAL	油封
30	9800330	NEEDLE BAR BUSHING, LOWER	針棒套筒
31	9800331	PRESSER BAR BUSHING, LOWER	押棒套筒
32	9800332	NEEDLE BEARING	針狀軸承
33	9800333	LOOPER ROCKER SHAFT BUSHING, FRONT	套筒
34	9800315	OIL SEAL	油封
35	9800335	LOOPER ROCKER SHAFT BUSHING, REAR	套管
36	9800336	"O" RING	O型環
37	9800337	FILTER	油棉
38	△▲ 9800338	LOOPER ROCKER SHAFT BUSHING, FRONT	套筒
39	● 9800438	BEARING HOLDER	軸承座

- △ FOR N980AW
- ▲ FOR N980ACW
- FOR N980AP



4. 針棒&驅動軸零件 NEEDLE BAR & CRANK SHAFT PARTS





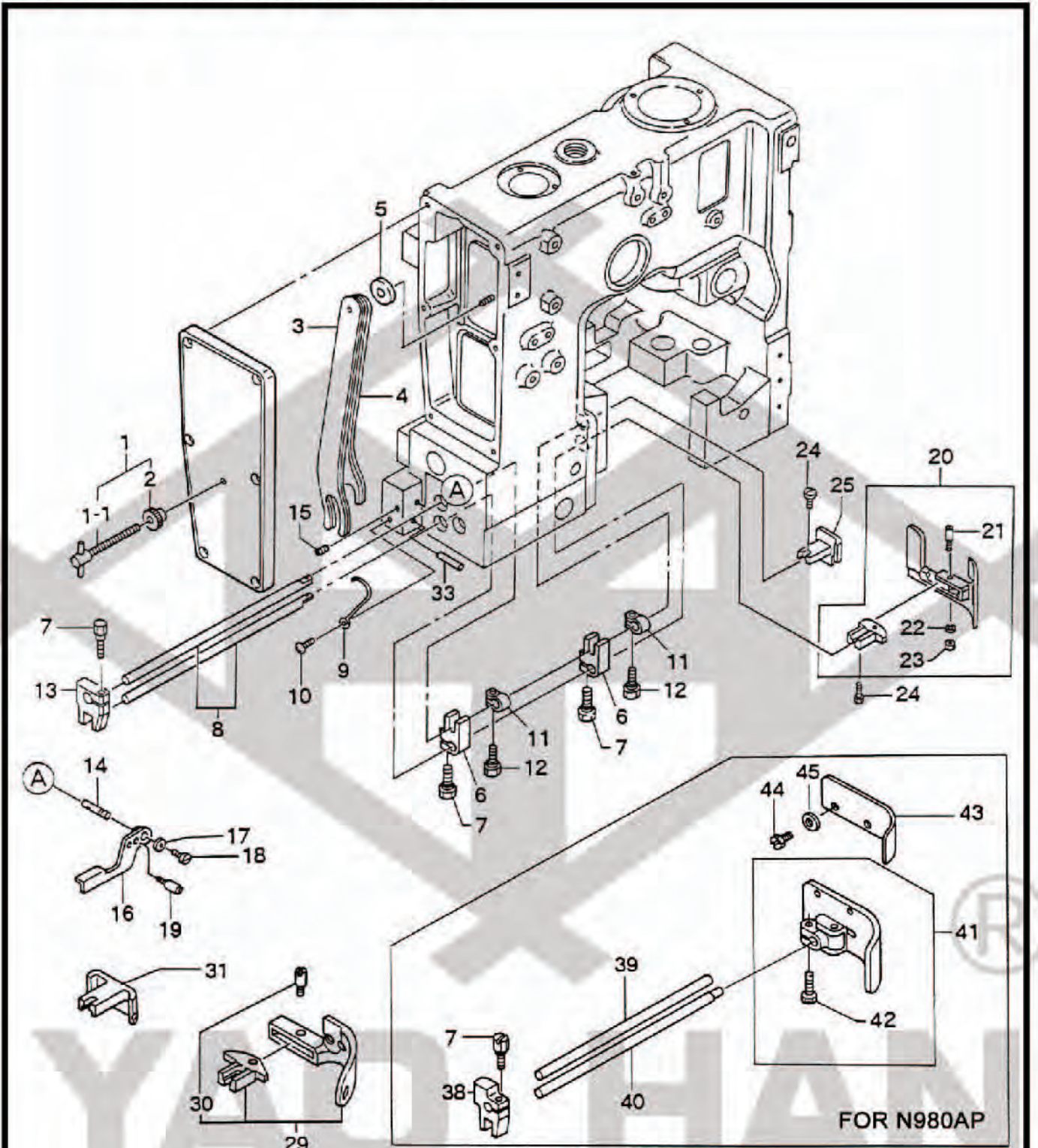
## 4. 針棒&amp;驅動軸零件 NEEDLE BAR &amp; CRANK SHAFT PARTS

ITEM	PART NO.	DESCRIPTION	
1	9800401	SCREW	螺絲
2	# 9800402	PULLEY	皮帶輪
3	# 9800403	SCREW	螺絲
4	9800404	KEY	埋頭鍵
5	9800405	CRANK SHAFT	主軸
6	9800406	BALANCE WEIGHT ASM.	平衡塊
7	9800407	SCREW	螺絲
8	9800408	REAR COVER	後蓋板
9	9800409	GASKET	墊片
10	9800138	SCREW	螺絲
11	9800411	COLLAR	定環
12	9800412	SCREW	螺絲
13	9800413	CRANK SHAFT CONNECTING ROD ASM.	曲柄連接桿組
13-3	9800413-3	SLIDE BLOCK	軸連結塊
13-4	9800413-4	CRANK SHAFT CONNECTING ROD	曲柄連接桿
14	3200608	SCREW	螺絲
15	9800415	SPOT SCREW	螺絲
16	9800416	SCREW	螺絲
17	9800417	SCREW	螺絲
18	9800418	NUT	螺帽
19	9800419	SCREW	螺絲
20	9800420	ARM ROCKER SHAFT	傳動軸
21	9800421	NEEDLE BAR ASM.	針棒組
22	9800422	NEEDLE CLAMP NUT	針棒螺帽
23	9800423	NEEDLE	針(DRX2 #26)
24	9800424	NEEDLE BAR CONNECTING STUD	連接栓
25	6001009	SCREW	螺絲
26	9800426	NEEDLE BAR CONNECTING LINK	針棒連結座
27	9800427	NEEDLE BAR CONNECTING LINK PIN	連結銷
28	9800428	SCREW	螺絲
29	9800429	NEEDLE THREAD TAKE-UP	上天平
30	9800109	SCREW	螺絲
31	● 9800431	NEEDLE	針
32	@● 9800432	VARIABLE DIAMETER PULLEY ASM.	可變皮帶輪組
32-1	@● 9800432-1	VARIABLE DIAMETER PULLEY	可變皮帶輪
33	@● 9800433	PRESSER PLATE	壓板
34	@● 9800121	SCREW	螺絲
35	@● 9800435	PULLEY HUB	皮帶輪軸
36	@● 9800436	SCREW	螺絲
37	@● 9800437	SCREW	螺絲
38	9800438	BEARING HOLDER	軸承座

# FOR N980A  
 @ FOR N980AC  
 ● FOR N980AP



5. 壓腳配件 PRESSER FOOT PARTS



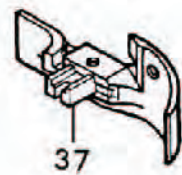
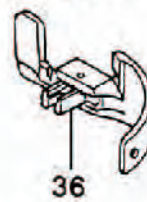
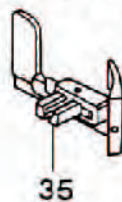
FOR JUTE BAG

FOR HAND FEED

FOR SUB-TAPE

FOR HAND FEED

FOR BAG MOUTH FOLDER





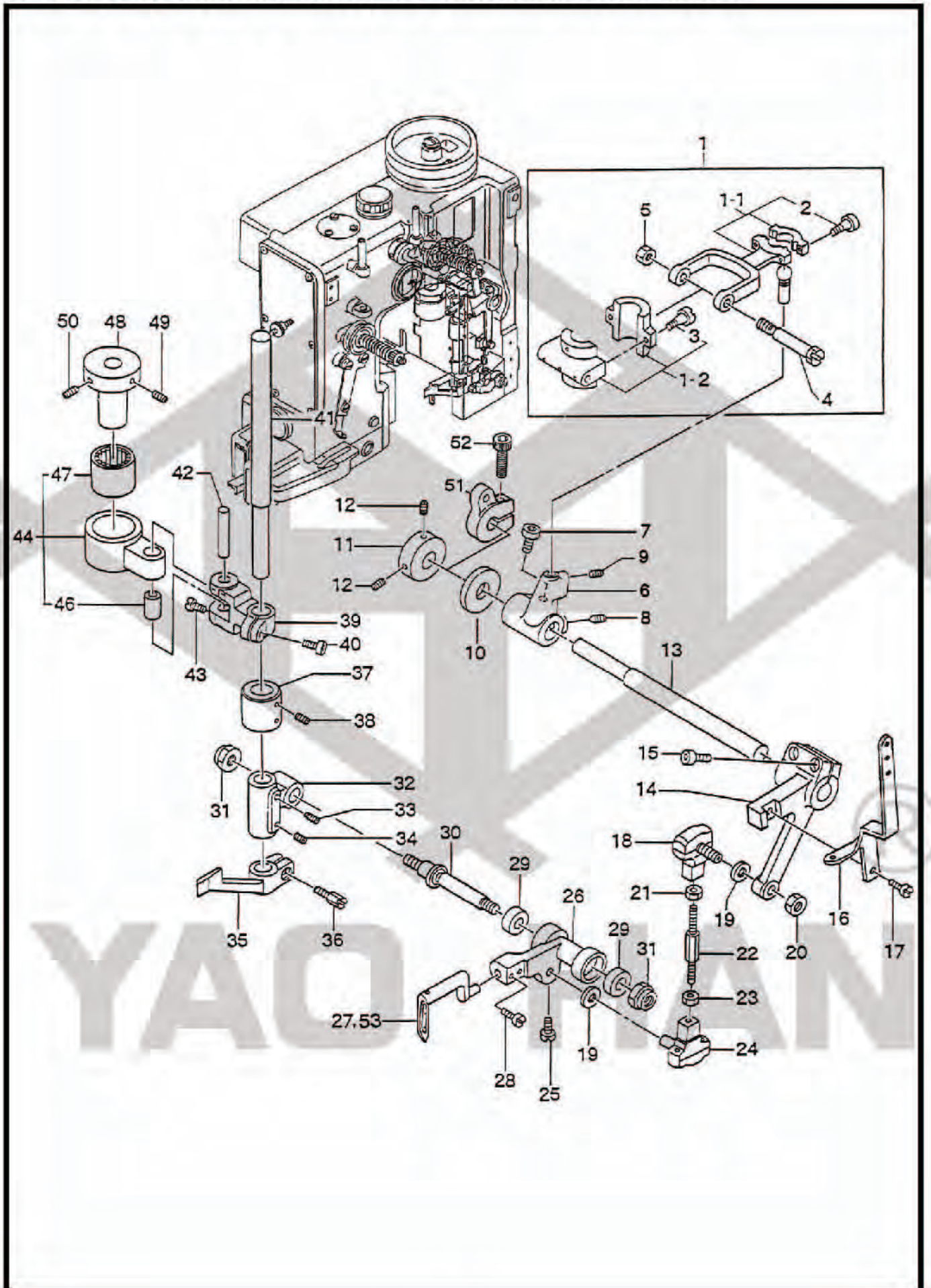
## 5. 壓腳配件 PRESSER FOOT PARTS

ITEM	PART NO.	DESCRIPTION	
1	9800501	PRESSER SRPING REGULATOR SCREW ASM.	調整螺絲組
1-1	9800501-1	PRESSER SRPING REGULATOR SCREW	調整螺絲
2	9800502	NUT	調整螺帽
3	9800503	PRESSER BAR SPRING, LARGE	彈性壓棒
4	9800504	PRESSER BAR SPRING, SMALL	彈性壓棒(小)
5	9800505	COLLAR	套環
6	9800506	PRESSER BAR LIFTING BRACKET, LEFT	針棒托架(左)
7	9800507	SCREW	螺絲
8	9800508	PRESSER BAR	押棒
9	9800509	SPRING	彈簧
10	9800222	SCREW	螺絲
11	9800511	PRESSER BAR SPRING ADJUSTER	壓棒調整器
12	9800507	SCREW	螺絲
13	9800513	PRESSER BAR LIFTING BRACKET	針棒托架座
14	9800514	PRESSER BAR LIFTER HINGE STUD	押棒升起螺栓
15	9800515	SCREW	螺絲
16	9800516	PRESSER BAR LIFTER	手柄
17	9800517	WASHER	華司
18	6001016	SCREW	螺絲
19	9800519	SCREW	螺絲
20	@ 9800520	LEFT PRESSER FOOT ASM.	壓腳組(左)
21	@ 9800521	SCREW	螺絲
22	9800522	SPRING WASHER	華司
23	9800523	NUT	螺帽
24	9800524	SCREW	螺絲
25	@ 9800525	RIGHT PRESSER FOOT	壓腳(右)
29	# 9800529	LEFT PRESSER FOOT ASM.	壓腳組(左)
30	# 9800530	SCREW	螺絲
31	# 9800531	RIGHT PRESSER FOOT	壓腳(右)
32	*# 9800532	LEFT PRESSER FOOT ASM. FOR JUTE BAG	壓腳組(麻袋用)
33	9800533	PIN	梢
34	*@ 9800534	PRESSER FOOT, RIGHT FOR HAND FEED	右壓腳,手差用
35	*@ 9800535	PRESSER FOOT ASS'Y, LEFT FOR SUB-TAPE	左押腳,當紙用
36	*@ 9800536	PRESSER FOOT ASS'Y, LEFT FOR HAND FEED	左押腳,手差用
37	*@ 9800537	PRESSER FOOT ASS'Y, LEFT FOR BAG MOUTH FOLDER	左押腳,折袋口用
38	● 9800538	PRESSER BAR RIGHT LIFTING BRACKET	針棒托架座
39	● 9800539	PRESSER BAR RIGHT	壓腳棒
40	● 9800540	PRESSER BAR LEFT	壓腳棒
41	● 9800541	PRESSER FOOT ASS'Y	押腳
42	● 9800636	SCREW	螺絲
43	● 9800543	BAG GUIDE	押腳袋口導片
44	● 9800544	SCREW	螺絲
45	● 6001416	WASHER	華司

# FOR N980A  
 @ FOR N980AC  
 ● FOR N980AP  
 \* SPECIAL ORDER



6. 鈎針&連桿零件 LOOPER ROCKER & CONNECTING ROD PARTS





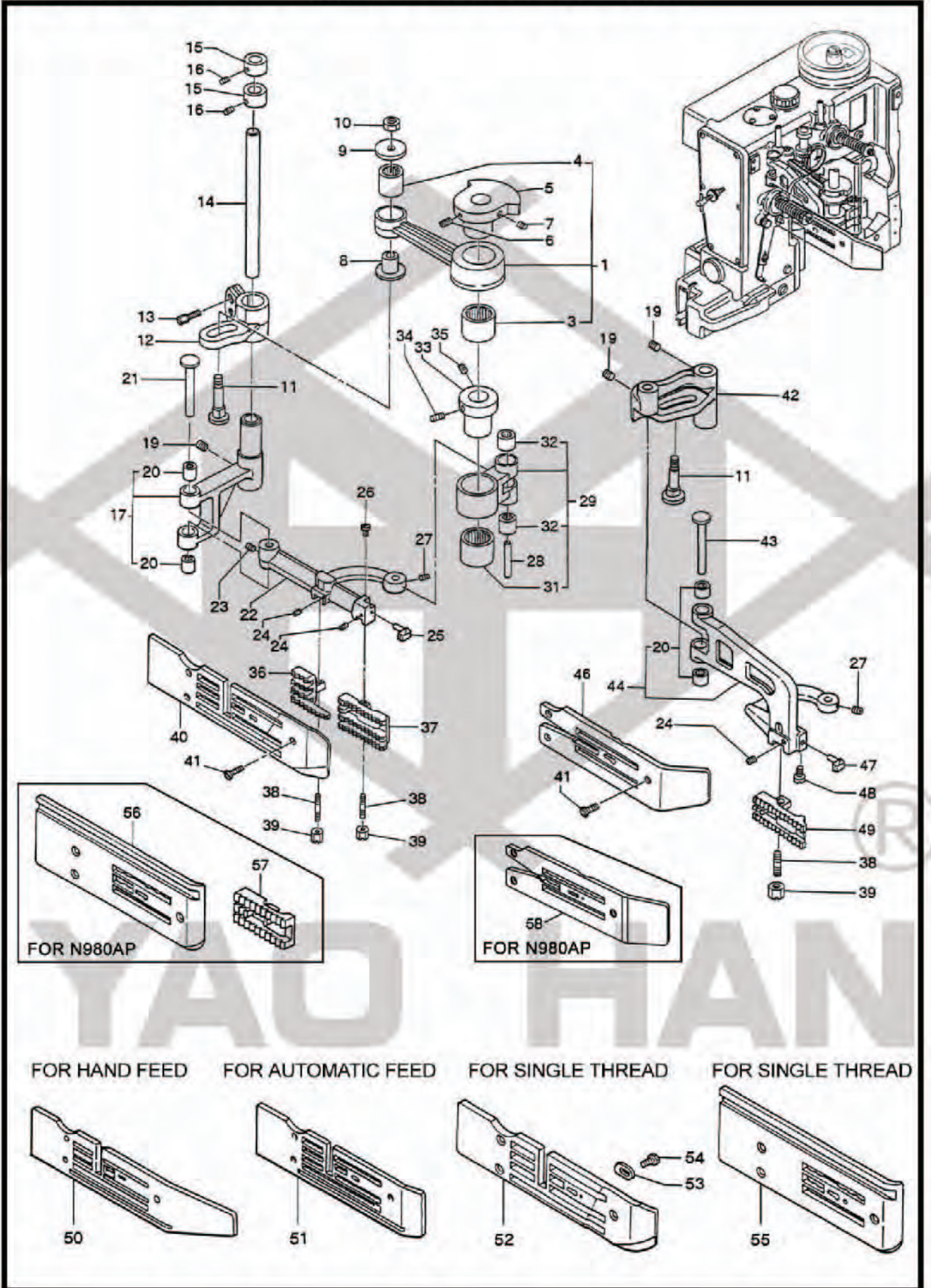
6. 鈎針&連桿零件 LOOPER ROCKER & CONNECTING ROD PARTS

ITEM	PART NO.	DESCRIPTION	
1	9800601	LOOPER BELL CRANK CONNECTION ROD ASM.	曲柄連接桿組
1-1	9800601-1	LOOPER BELL CRANK CONNECTION ROD	曲柄連接桿
1-2	9800601-2	SLIDE BLCOK	滑塊
2	3200815	SCREW	螺絲
3	3200608	SCREW	螺絲
4	9800417	SCREW	螺絲
5	9800418	NUT	螺帽
6	9800606	LOOPER DRIVE LEVER ROCKET	傳動拉基
7	9800607	SCREW	螺絲
8	9800608	SCREW	螺絲
9	9800428	SCREW	螺絲
10	9800610	THRUST COLLAR	塞環
11	@ 9800611	SET COLLAR	止環
12	@ 9800612	SCREW	螺絲
13	9800613	LOOPER DRIVE LEVER SHAFT	軸心
14	9800614	LOOPER DRIVE LEVER	彎心傳動桿
15	9800615	SCREW	螺絲
16	9800616	LOOPER THREAD TAKE-UP	過線
17	6001435	SCREW	螺絲
18	9800618	LOOPER CONNECTING ROD BALL JOINT, RIGHT	滾珠連桿(右)
19	9800619	WASHER	華司
20	9800620	NUT	螺帽
21	9800621	NUT	螺帽
22	9800622	LOOPER CONNECTING ROD	螺桿
23	9800623	NUT	螺帽
24	9800624	LOOPER CONNECTING ROD BALL JOINT, LEFT	滾珠連桿(左)
25	6001009	SCREW	螺絲
26	9800626	LOOPER ROCKER	彎針搖桿
27	9800627	LOOPER	彎針
28	6001430	SCREW	螺絲
29	9800629	BALL BEARING	NSK 軸承
30	9800630	LOOPER ROCKER CONE STUD	彎針搖桿螺栓
31	9800631-1	NUT	有槽螺帽
32	9800632	LOOPER ROCKER FRAME	彎針螺桿座
33	9800633	SCREW	螺絲
34	9800428	SCREW	螺絲
35	9800635	LOOPER RETAINER	頂針
36	9800636	SCREW	螺絲
37	9800637	SET COLLAR	止環
38	9800638	SCREW	螺絲
39	9800639	LOOPER ROCKER SHAFT ARM	針棒固定桿
40	9800640	SCREW	螺絲
41	9800641	LOOPER ROCKER SHAFT	軸心
42	9800642	LINK PIN	連接軸
43	6001009	SCREW	螺絲
44	9800644	BEARING CASE ASM.	軸承殼組
46	9800646	BEARING	軸承
47	9800647	BEARING	培林(軸承)
48	9800648	LOOPER AVOID ECCENTRIC	偏心軸
49	9800649	SCREW	螺絲
50	9800650	SCREW	螺絲
51	# 9800651	KNIFE LEVER A	傳動軸
52	# 9800652	SCREW	螺絲
53	● 9800653	LOOPER	彎針

# FOR N980A  
 @ FOR N980AC  
 ● FOR N980AP



7. 送料送布齒&針板 FEED DRIVING & THROAT PLATE PARTS





## 7. 送料送布齒&amp;針板 FEED DRIVING &amp; THROAT PLATE PARTS

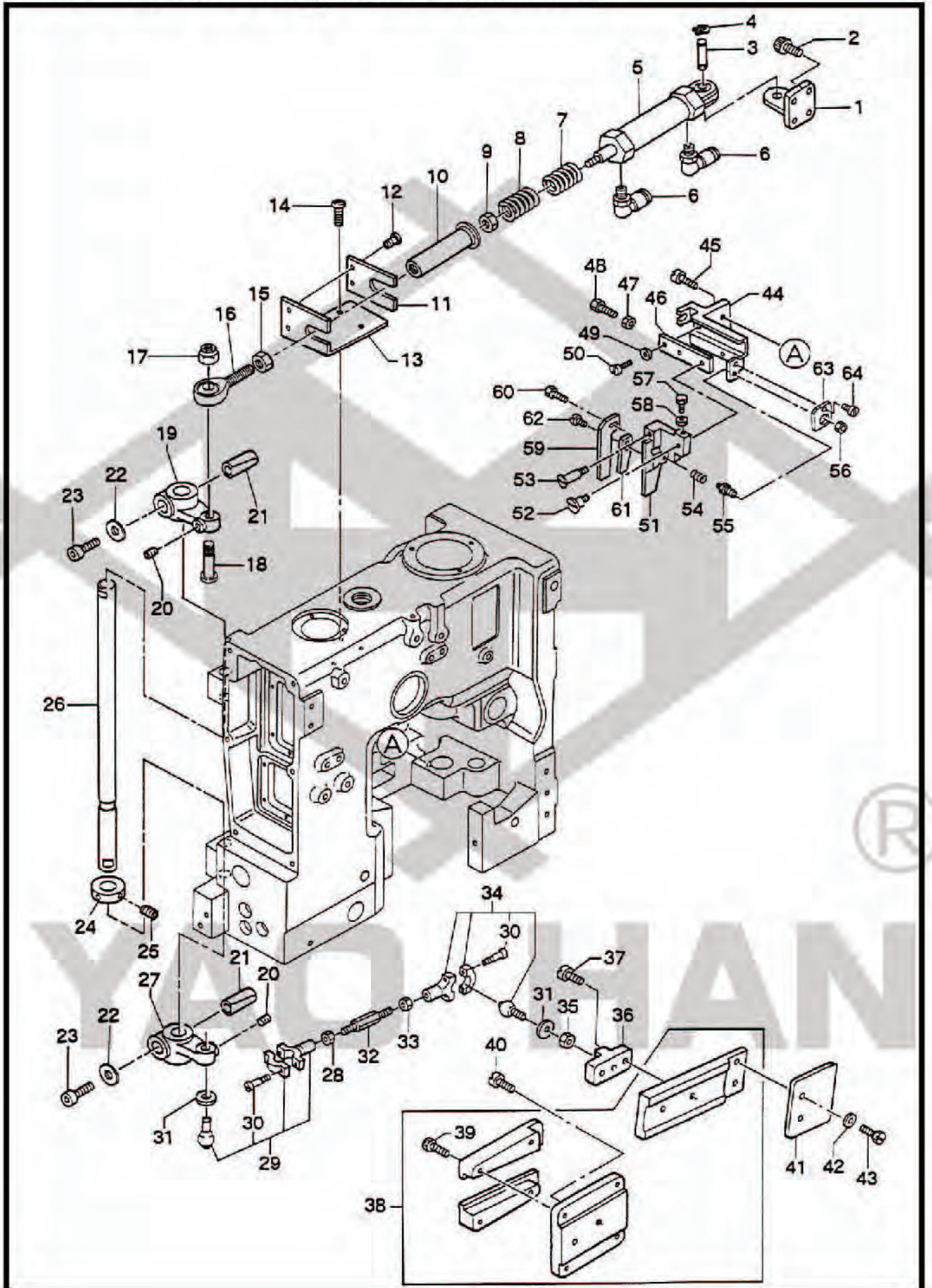
ITEM	PART NO.	DESCRIPTION	
1	9800701	FEED DRIVE ECCENTRIC ASM.	曲柄連接桿組
3	9800647	NEEDLE BEARING	針狀軸承
4	9800704	NEEDLE BEARING	針狀軸承
5	9800705	FEED ROCKER ECCENTRIC	凸輪
6	9800650	SCREW	螺絲
7	9800649	SCREW	螺絲
8	9800708	BUSHING	套管
9	9800709	WASHER	華司
10	9800710	NUT	螺帽
11	9800711	FEED REGULATING STUD	進給調節軸
12	@ 9800712	FEED ROCKER CRANK	送布曲柄
13	@ 9800507	SCREW	螺絲
14	9800714	FEED ROCKER SHAFT	軸心
15	9800611	SET COLLAR	止環
16	9800612	SCREW	螺絲
17	@ 9800717	FEED ROCKER	曲柄
19	9800638	SCREW	螺絲
20	9800646	NEEDLE BEARING	軸承
21	@ 9800721	FEED BAR SHAFT	軸栓
22	@ 9800722	FEED BAR	狗齒座
23	9800638	SCREW	螺絲
24	9800724	SCREW	螺絲
25	@ 9800725	NEEDLE GUIDE	針頂
26	@ 6001009	SCREW	螺絲
27	9800220	SCREW	螺絲
28	9800728	FEED CRANK LINK PIN	曲柄連結銷
29	9800729	FEED CRANK LINK ASM.	曲柄連結座組
31	9800731	NEEDLE BEARING	針狀軸承
32	9800646	NEEDLE BEARING	針狀軸承
33	9800733	FEED LIFT ECCENTRIC	偏心輪
34	9800649	SCREW	螺絲
35	9800638	SCREW	螺絲
36	@ 9800736	FEED DOG, REAR	後狗齒
37	@ 9800737	FEED DOG, FRONT	前狗齒
38	9800738	SCREW	螺絲
39	9800739	NUT	螺帽
40	@ 9800740	THROAT PLATE FOR AUTOMATIC FEED	針板
41	9800741	SCREW	螺絲
42	# 9800742	FEED ROCKER	搖擺曲柄
43	# 9800743	FEED BAR SHAFT	軸栓
44	# 9800744	FEED BAR	狗齒座組
46	# 9800746	THROAT PLATE	針板
47	# 9800747	NEEDLE GUIDE	針頂
48	# 6001009	SCREW	螺絲
49	# 9800749	FEED DOG	狗齒
50	*●@ 9800750	THROAT PLATE, FOR HAND FEED	針板,手差用
51	*●@ 9800751	THROAT PLATE, FOR AUTOMATIC FEED BY LEVER START	針板,AUTOMATIC FEED
52	*@ 9800752	THROAT PLATE FOR SINGLE THREAD	針板,單環用
53	*●@ 9800753	THROAT PLATE THREAD RETAINER	針板爪,單環用
54	*●@ 9800754	SEREW	螺絲
55	*● 9800755	THROAT PLATE, FOR SINGLE THREAD	針板,單環用
56	● 9800756	THROAT PLATE	針板
57	● 9800757	FEED DOG	狗齒
58	● 9800758	THROAT PLATE	針板

# FOR N980A  
@ FOR N980AC

● FOR N980AP  
\* SPECIAL ORDER



8. 切刀組 CUTTER PARTS (FOR N980AC, N980ACW)



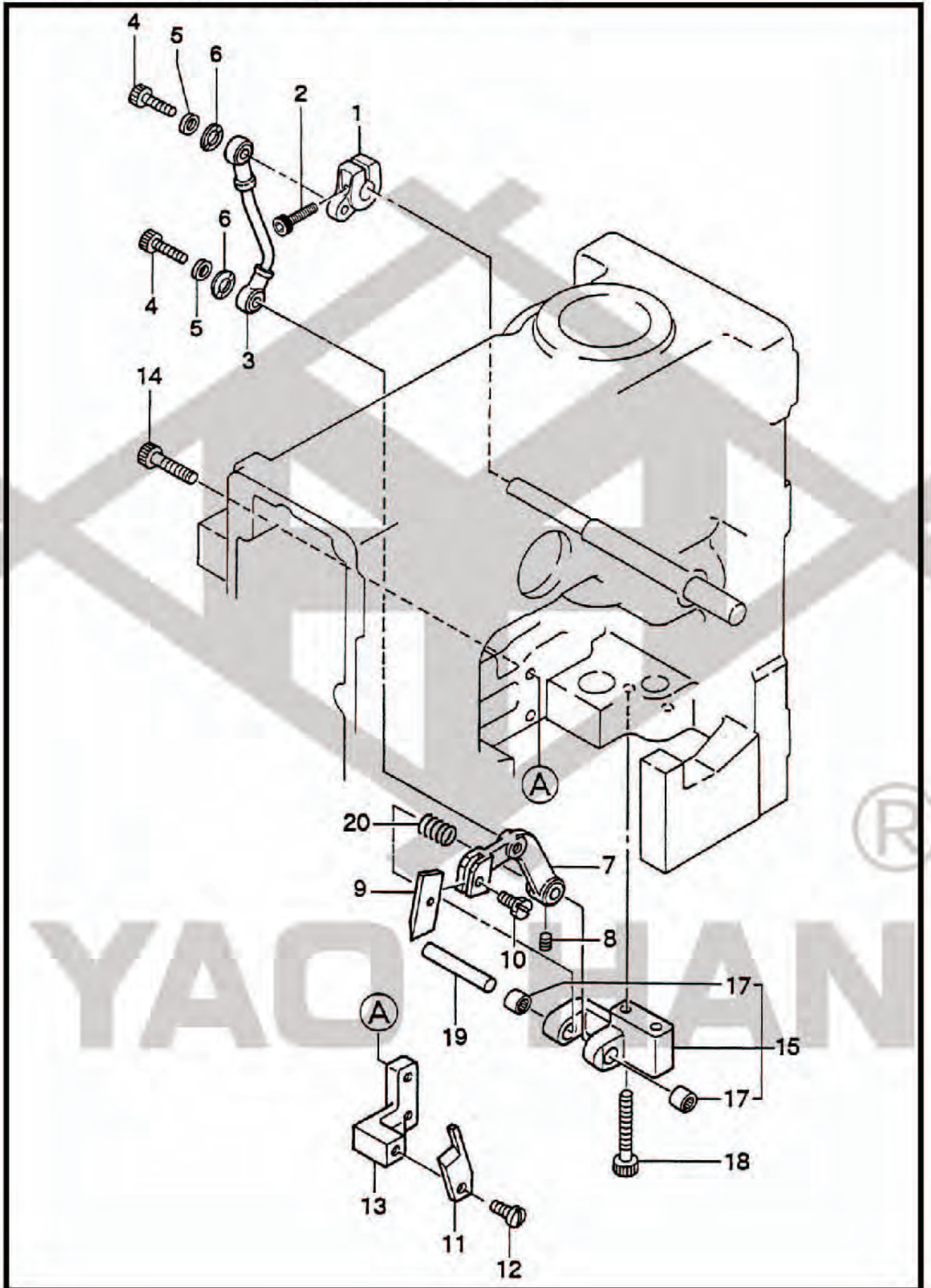


## 8. 切刀組 CUTTER PARTS (FOR N980AC, N980ACW)

ITEM	PART NO.	DESCRIPTION	
1	9800801	AIR CYLINDER BASE	連接座
2	9800802	SCREW	螺絲
3	9800803	PIN	連結軸
4	9800107	STOP RING	C型扣環
5	9800805	AIR CYLINDER	氣缸
6	9800806	TUBE FITTING, ELBOW	氣壓閥
7	9800807	SPRING	彈簧
8	9800808	SPRING	彈簧
9	9800809	NUT	螺帽
10	9800810	JOINT ROD	調整螺栓
11	9800811	SPACER	隔環
12	6001009	SCREW	螺絲
13	9800813	JOINT ROD GUIDE	連接桿導件
14	9800132	SCREW	螺絲
15	9800815	NUT	螺帽
16	9800816	ROD END	連接桿導件
17	9800817	NUT	彈簧螺帽
18	9800818	CUTTER CONNECTING LEVER PIN	螺栓
19	9800819	CUTTER CONNECTING LEVER	連桿
20	9800428	SCREW	螺絲
21	9800821	COTTER PIN	銷
22	9800822	WASHER	華司
23	9800615	SCREW	螺絲
24	9800411	COLLAR	定環
25	9800412	SCREW	螺絲
26	9800826	CUTTER ROCKER SHAFT	軸心
27	9800827	CUTTER CONNECTING LEVER	連桿
28	9800623	NUT	螺帽
29	9800829	LEFT BALL JOINT ASM.	滾珠連桿組(左)
30	3200815	SCREW	螺絲
31	9800619	WASHER	華司
32	9800832	CUTTER CONNECTING ROD	螺桿
33	9800621	NUT	螺帽
34	9800834	RIGHT BALL JOINT ASM.	滾珠連桿組(右)
35	9800620	NUT	螺帽
36	9800836	BALL HOLDER	支持塊
37	9800837	SCREW	螺絲
38	9800838	OSCILLATING PLATE ASM.	切線活動板組
39	9800839	SCREW	螺絲
40	6001612	SCREW	螺絲
41	9800841	UPPER KNIFE	切線刀
42	6001416	WASHER	華司
43	3200804	SCREW	螺絲
44	9800844	LOWER KNIFE BASE CONNECTION	刀台連接座
45	9800407	SCREW	螺絲
46	9800846	LOWER KNIFE ADJUST PLATE	調整板
47	6001443	NUT	螺帽
48	9800848	SCREW	螺絲
49	6001416	WASHER	華司
50	9800850	SCREW	螺絲
51	9800851	LOWER KNIFE BASE	下刀台
52	9800852	SCREW	螺絲
53	9800853	SCREW	螺絲
54	9800854	SPRING	壓縮彈簧
55	9800855	SPRING ADJUST	調整螺絲
56	6001610	NUT	螺帽
57	9800857	SCREW	螺絲
58	6001443	NUT	螺帽
59	9800859	LOWER KNIFE	下切線刀
60	9800860	SCREW	螺絲
61	9800861	LOWER KNIFE STOPPER	下刀制止片
62	6001023	SCREW	螺絲
63	9800863	PLATE	鐵板
64	6001009	SCREW	螺絲



9. 切刀組 CUTTER PARTS (FOR N980A, N980AW)





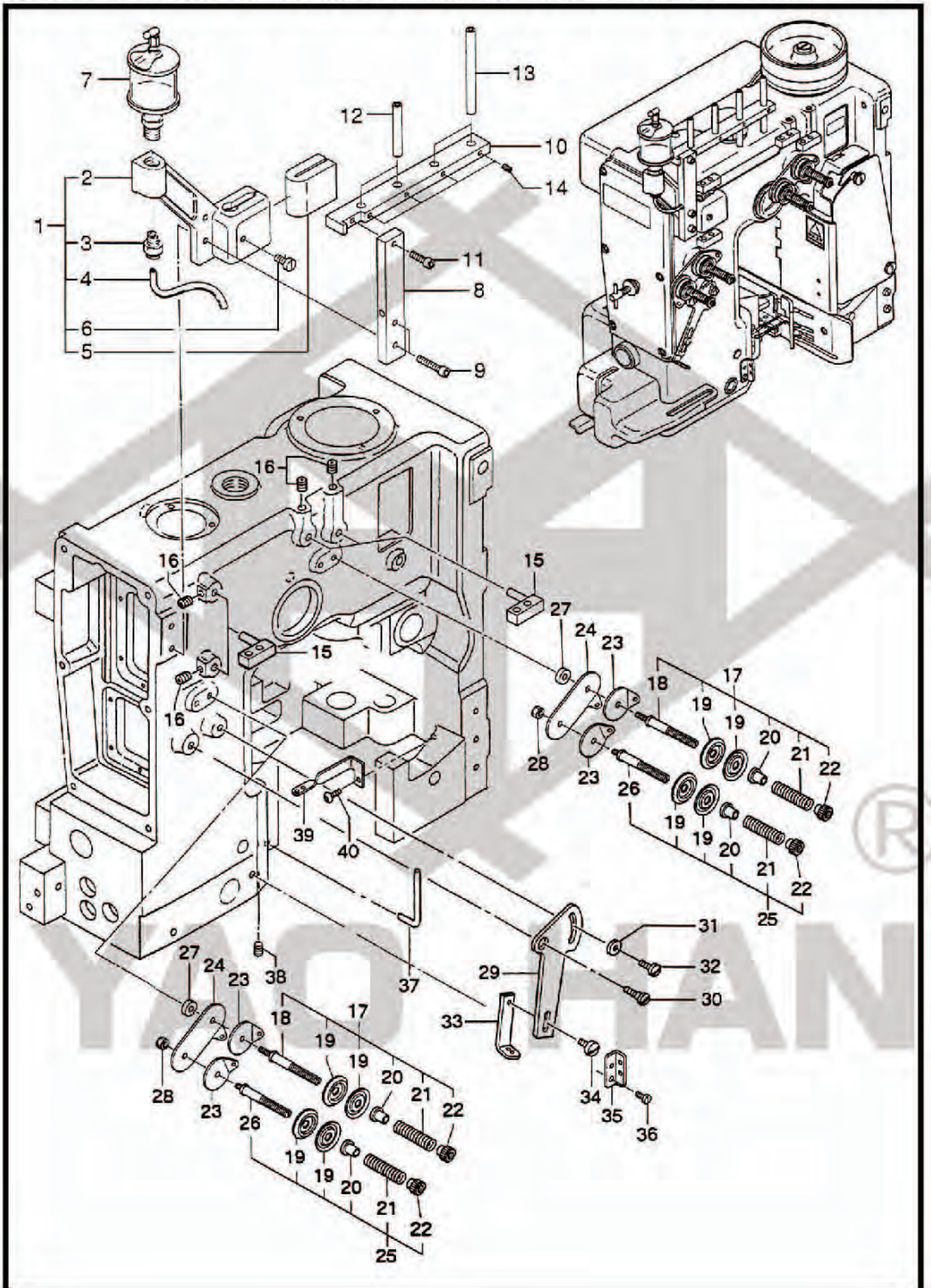
## 9. 切刀組 CUTTER PARTS (FOR N980A, N980AW)

ITEM	PART NO.	DESCRIPTION	
1	9800651	KNIFE LEVER A	傳動軸
2	9800652	SCREW	螺絲
3	9800903	BALL JOINT ROD	球形連桿
4	9800121	SCREW	螺絲
5	9800905	WASHER	華司
6	9800906	SPRING WASHER	墊片
7	9800907	KNIFE LEVER B	切刀座
8	9800908	SCREW	螺絲
9	9800909	KNIFE B	上切刀
10	9800524	SCREW	螺絲
11	9800911	KNIFE A	上切刀
12	9800912	SCREW	螺絲
13	9800913	KNIFE BASE	切刀座
14	9800914	SCREW	螺絲
15	9800915	KNIFE LEVER BASE ASM.	切刀座組
17	9800646	NEEDLE BEARING	軸承
18	9800918	SCREW	螺絲
19	9800919	KNIFE LEVER PIN	連接軸
20	9800920	KNIFE LEVER SPRING	彈簧

YAO HAN



10. 沙拉組&油壺 THREAD TENSION & NEEDLE THERAD OILER (FOR N980AW, N980ACW)



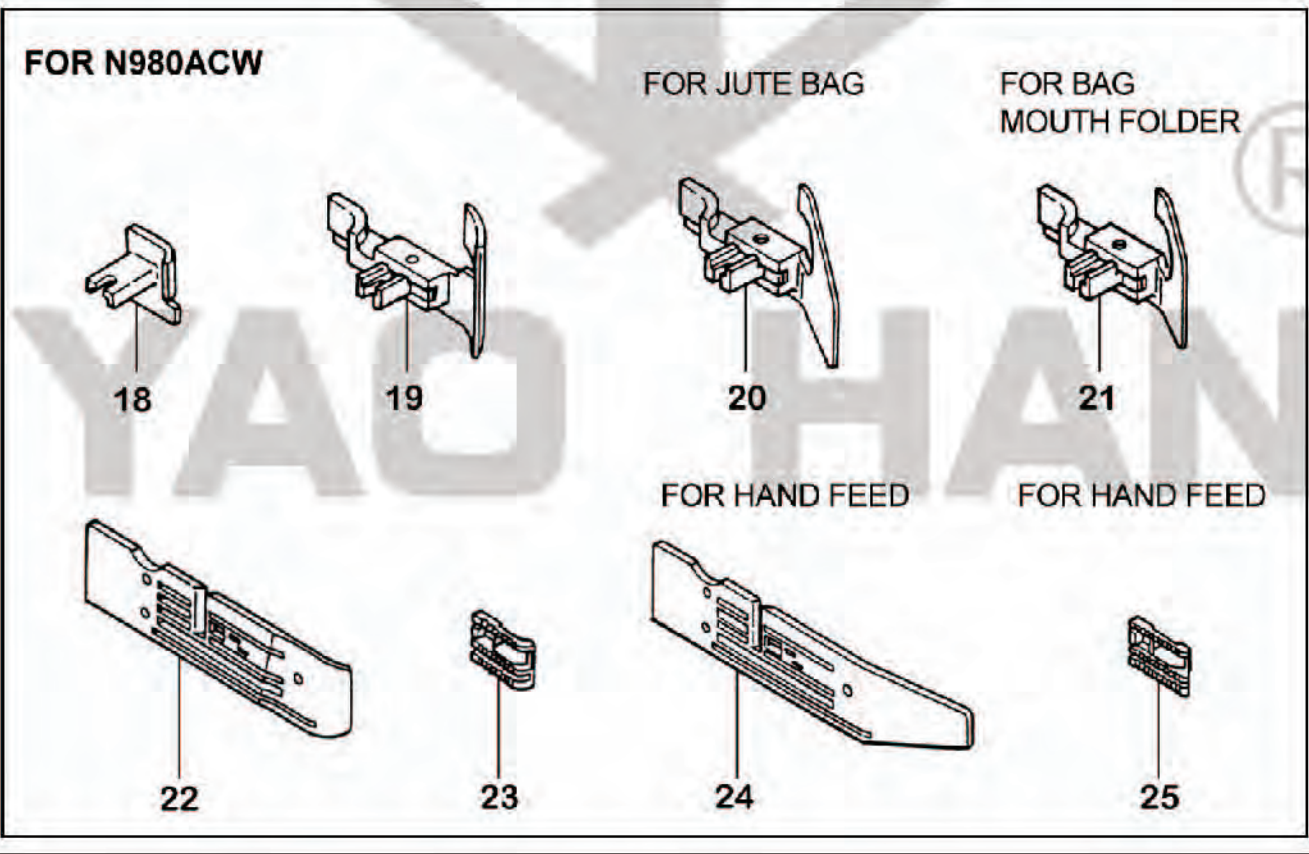
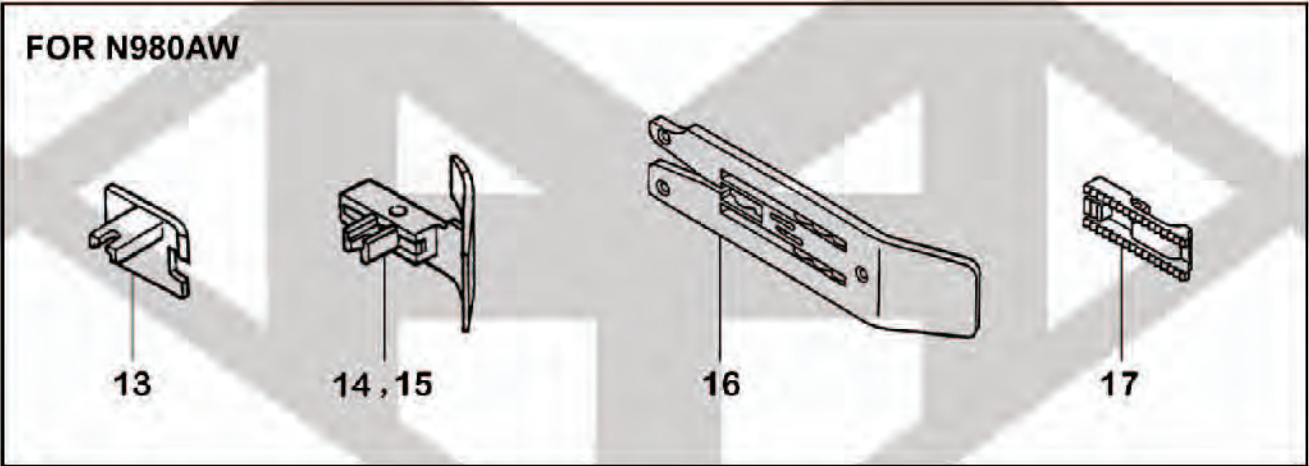
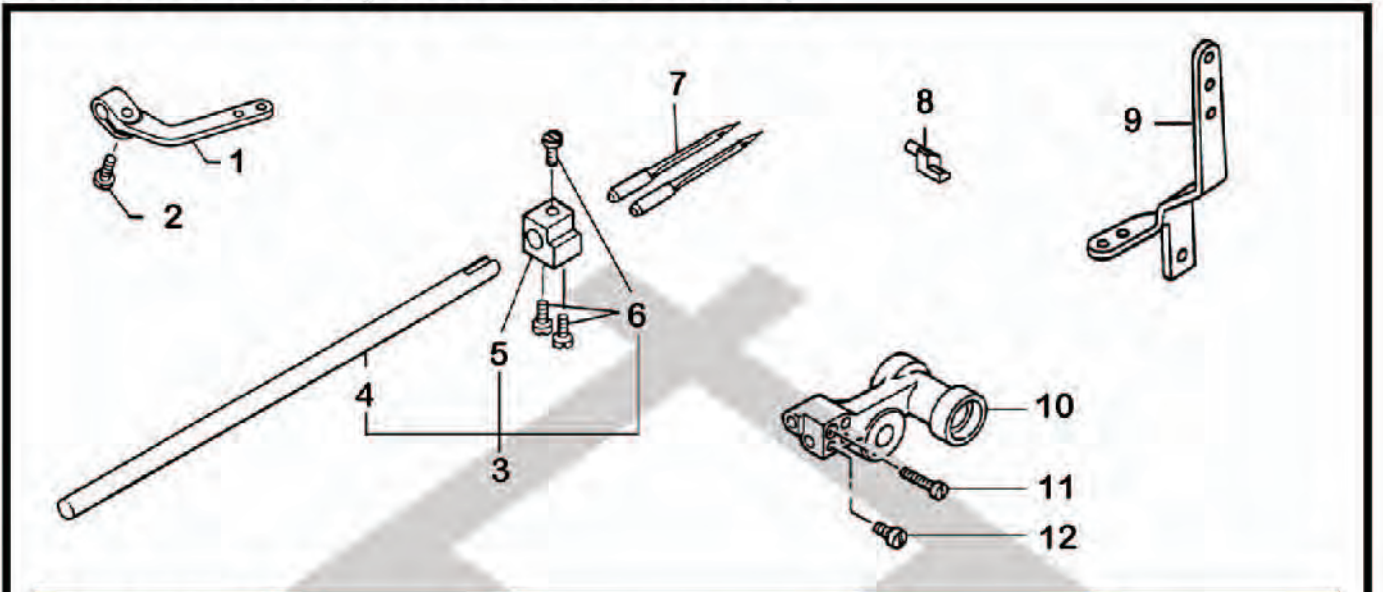


## 10. 沙拉組&amp;油壺 THREAD TENSION &amp; NEEDLE THERAD OILER (FOR N980AW, N980ACW)

ITEM	PART NO.	DESCRIPTION	
1	9801001	NEEDLE THREAD OILER ASS'Y	針棒注油座組
2	9801002	NEEDLE THREAD OILER	針棒注油座
3	9800238	TUBE FITTING, STRAIGHT	接頭
4	9801004	OIL TUBE	油管
5	9800240	FELT	毛氈
6	9801006	SCREW	螺絲
7	9800242	OILER	注油壺
8	9801008	THREAD GUIDE HOLDER BASE	過線底座
9	9800914	SCREW	螺絲
10	9801010	THREAD GUIDE HOLDER	過線座
11	9800802	SCREW	螺絲
12	9800210	FRAME THREAD EYELET	過線
13	9801013	FRAME THREAD EYELET	過線
14	9800220	SCREW	螺絲
15	9801015	THREAD EYELET	過線
16	9800220	SCREW	螺絲
17	9801017	THREAD TENSION ASS'Y	沙拉組
18	9801018	TENSION POST	沙拉心
19	6001013	TENSION DISC	壓線盤
20	9801020	TENSION POST FERRULE	沙拉組套筒
21	9801021	TENSION SPRING	彈簧
22	9800206	TENSION NUT	調整螺母
23	9801023	TENSION THREAD GUIDE	沙拉過線
24	9801024	TENSION THREAD GUIDE	沙拉座
25	9801025	THREAD TENSION ASS'Y	沙拉組
26	9801026	TENSION POST	沙拉心
27	9801027	COLLAR	仁仔
28	9801028	NUT	螺帽
29	9800213	NEEDLE THREAD CONTROLLER A	9800213
30	9800214	SCREW	螺絲
31	6001416	WASHER	華司
32	6001435	SCREW	螺絲
33	9801033	NEEDLE THREAD CONTROLLER B	過線調整板
34	6001016	SCREW	螺絲
35	9801035	NEEDLE THREAD GUIDE	過線
36	6001009	SCREW	螺絲
37	9800219	NEEDLE THREAD GUIDE	過線
38	9800220	SCREW	螺絲
39	9801039	LOOPER THREAD GUIDE	過線
40	9800222	SCREW	螺絲



**11. 專用零件 PARTS (FOR N980AW, N980ACW)**





## 11. 專用零件 PARTS (FOR N980AW, N980ACW)

ITEM	PART NO.	DESCRIPTION	
1	9801101	NEEDLE THREAD TAKE-UP	上天平
2	9800109	SCREW	螺絲
3	9801103	NEEDLE BAR ASS'Y	針棒組
4	9801104	NEEDLE BAR	針棒
5	9801105	NEEDLE HOLDER	針榴
6	6001411	SCREW	螺絲
7	9800423	NEEDLE	針
8	9801108	NEEDLE GUIDE	針檔(N980AW用)
9	9801109	LOOPER THREAD TAKE-UP	過線
10	9801110	LOOPER ROCKER	彎針台
11	9801111	SCREW	螺絲
12	9801112	SCREW	螺絲
13	△ 9801113	PRESSER FOOT, RIGHT	右押腳
14	△ 9801114	PRESSER FOOT ASS'Y, LEFT	左押腳
15	*△ 9801115	PRESSER FOOT ASS'Y, LEFT FOR JUTE BAG	左押腳,麻袋用
16	△ 9801116	THROAT PLATE	針板
17	△ 9801117	FEED DOG	狗齒
18	▲ 9801118	PRESSER FOOT, RIGHT	右押腳
19	▲ 9801119	PRESSER FOOT ASS'Y, LEFT	左押腳
20	*▲ 9801120	PRESSER FOOT ASS'Y, LEFT FOR JUTE BAG	左押腳,麻袋用
21	*▲ 9801121	PRESSER FOOT ASS'Y, LEFT FOR MOUTH FOLDER	左押腳,折袋口用
22	▲ 9801122	THROAT PLATE	針板
23	▲ 9801123	FEED DOG, FRONT	前狗齒
24	*▲ 9801124	THROAT PLATE FOR HAND FEED	針板,手差用
25	*▲ 9801125	FEED DOG, FRONT FOR HAND FEED	前狗齒,手差用

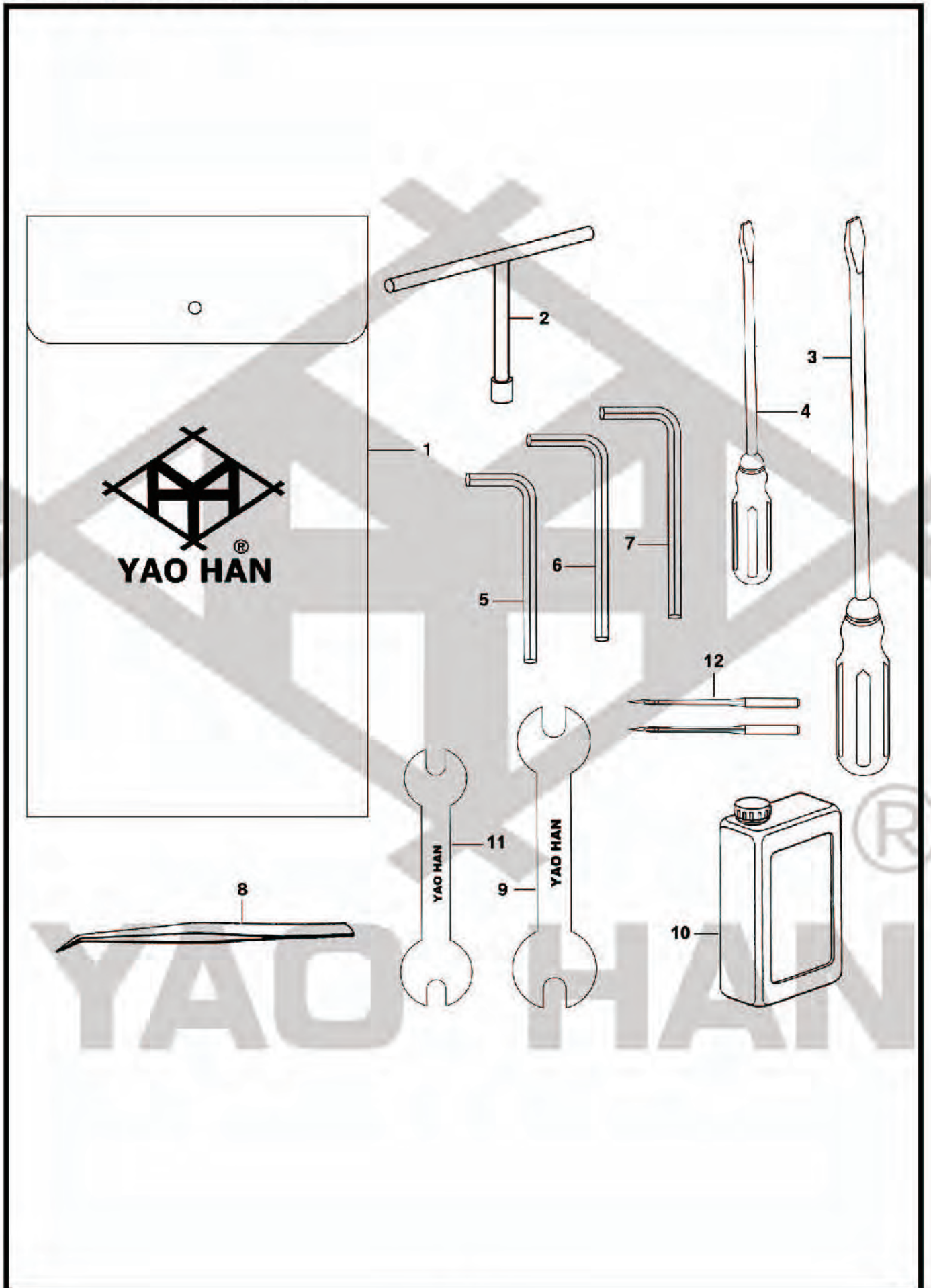
- △ FOR N980AW  
 ▲ FOR N980ACW  
 \* SPECIAL ORDER



YAO HAN



12. 工具包 ACCESSORIES





## 12. 工具包 ACCESSORIES

ITEM	PART NO.	DESCRIPTION	
1	6003401	ACCESSORY BAG	工具袋
2	9801202	SOCKET WRENCH	套筒板手
3	9801203	SCREW DRIVER (LARGE)	螺絲起子(大)
4	9801204	SCREW DRIVER (MEDIUM)	螺絲起子(中)
5	6003407	NEEDLE SET SCREW 3.0 WRENCH	六角板手 3.0MM
6	9801206	NEEDLE SET SCREW 4.0 WRENCH	六角板手 4.0MM
7	3002407	NEEDLE SET SCREW 5.0 WRENCH	六角板手 5.0MM
8	9801208	BENT TWEEZER W/PIN	線夾子
9	9801209	SPANNER 10mm x 12mm	開口板手(10MM;12MM)
10	9801210	OIL 1L/BOX	油
11	6003403	SPANNER 8mm x 9.5mm	開口板手
12	9800423	NEEDLE	針

YAO HAN





**YAO HAN**



YAO HAN



耀瀚股份有限公司  
YAO HAN INDUSTRIES CO., LTD.

<http://www.yaohan.com.tw>

YAO HAN (Taiwan) Head Office & Factory  
No.31, Lane. 145, Fuying Rd., Xinzhuang Dist.,  
New Taipei City 242, Taiwan  
TEL : 886-2-2904-2223 FAX : 886-2-2903-3598  
E-mail : es@yaohan.com.tw

YAO HAN(Hong Kong) Branch Office  
7/F.,Airgoal Cargo Building, 330 Kwun Tong Road,  
Kwun Tong, Kowloon, Hong Kong  
TEL : 852-27508832 FAX : 852-27576433  
E-mail : yaohan@yaohanhk.com

YAO HAN (China) Branch Office  
201, Building 1, Lane 5, Zhuwan Village, Nanlian Community,  
Longgang Street, Longgang District, Shenzhen City, China  
TEL : 86-755-89359689 FAX : 86-755-89901057  
E-mail : yaohan.cnws001@gmail.com

2015.01