

YAO HAN

縫袋口機

MODEL
U561

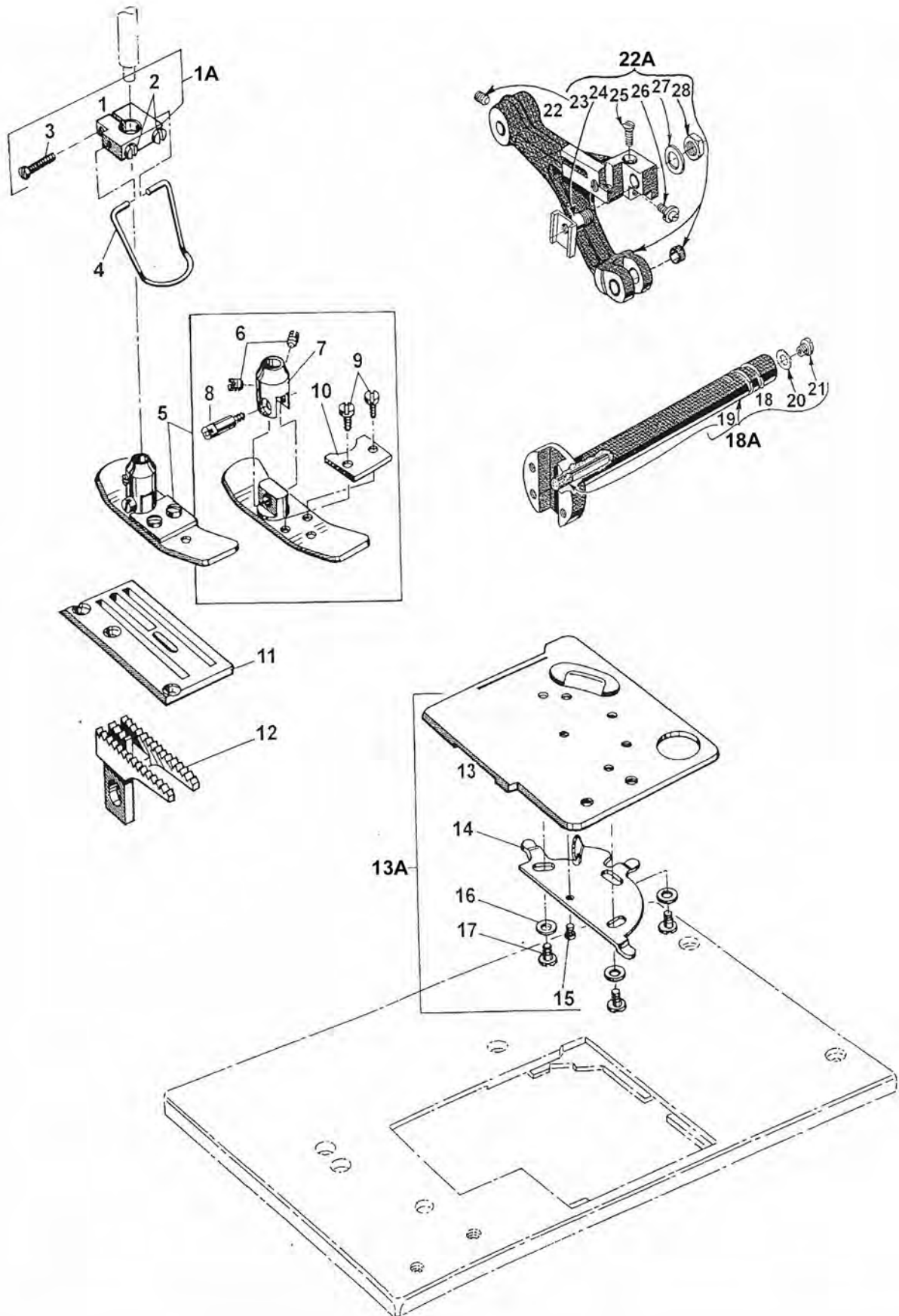
BAG CLOSING MACHINE

PARTS BOOK 零件本

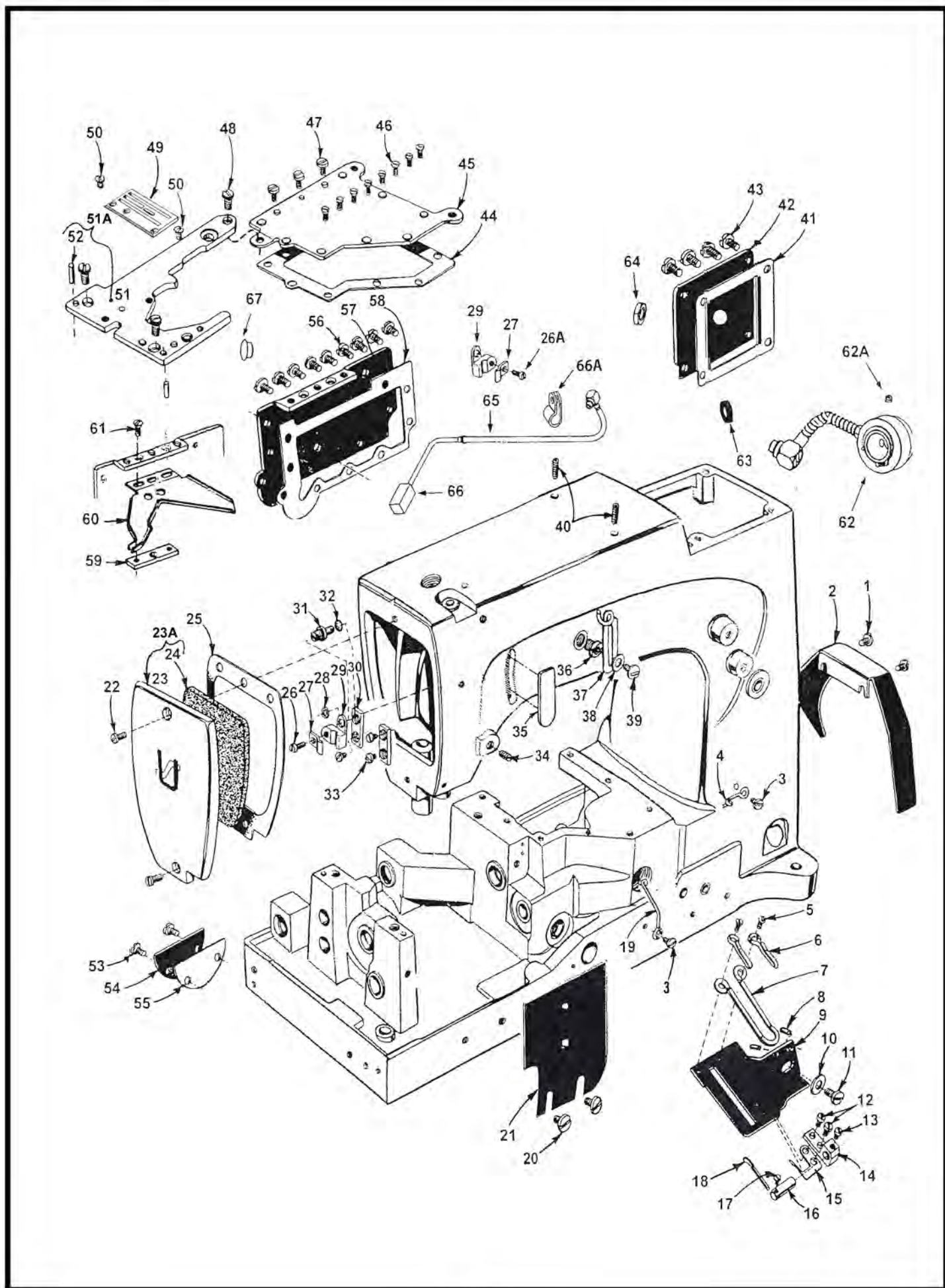


耀瀚股份有限公司
YAO HAN INDUSTRIES CO., LTD.

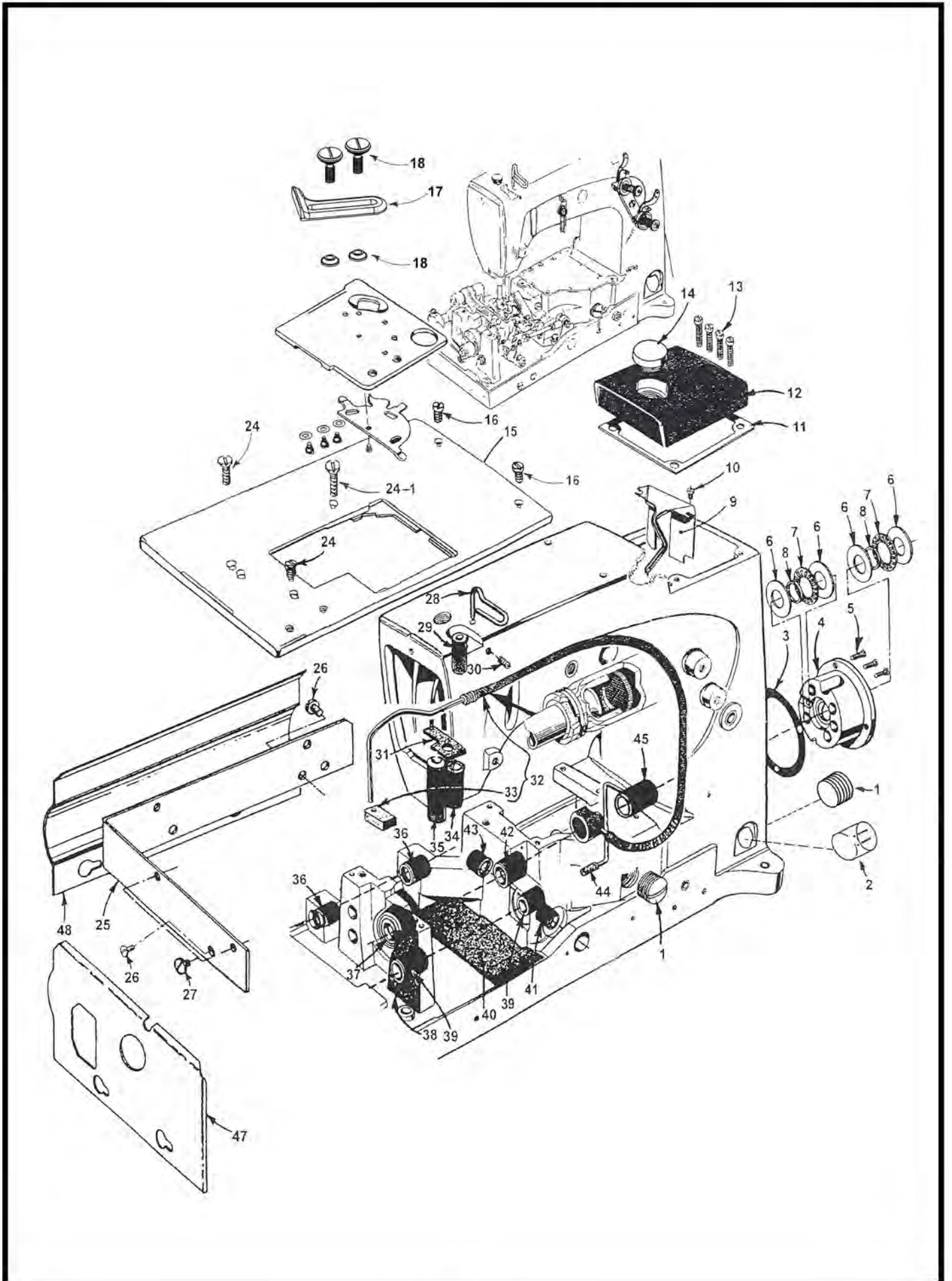
2016.04



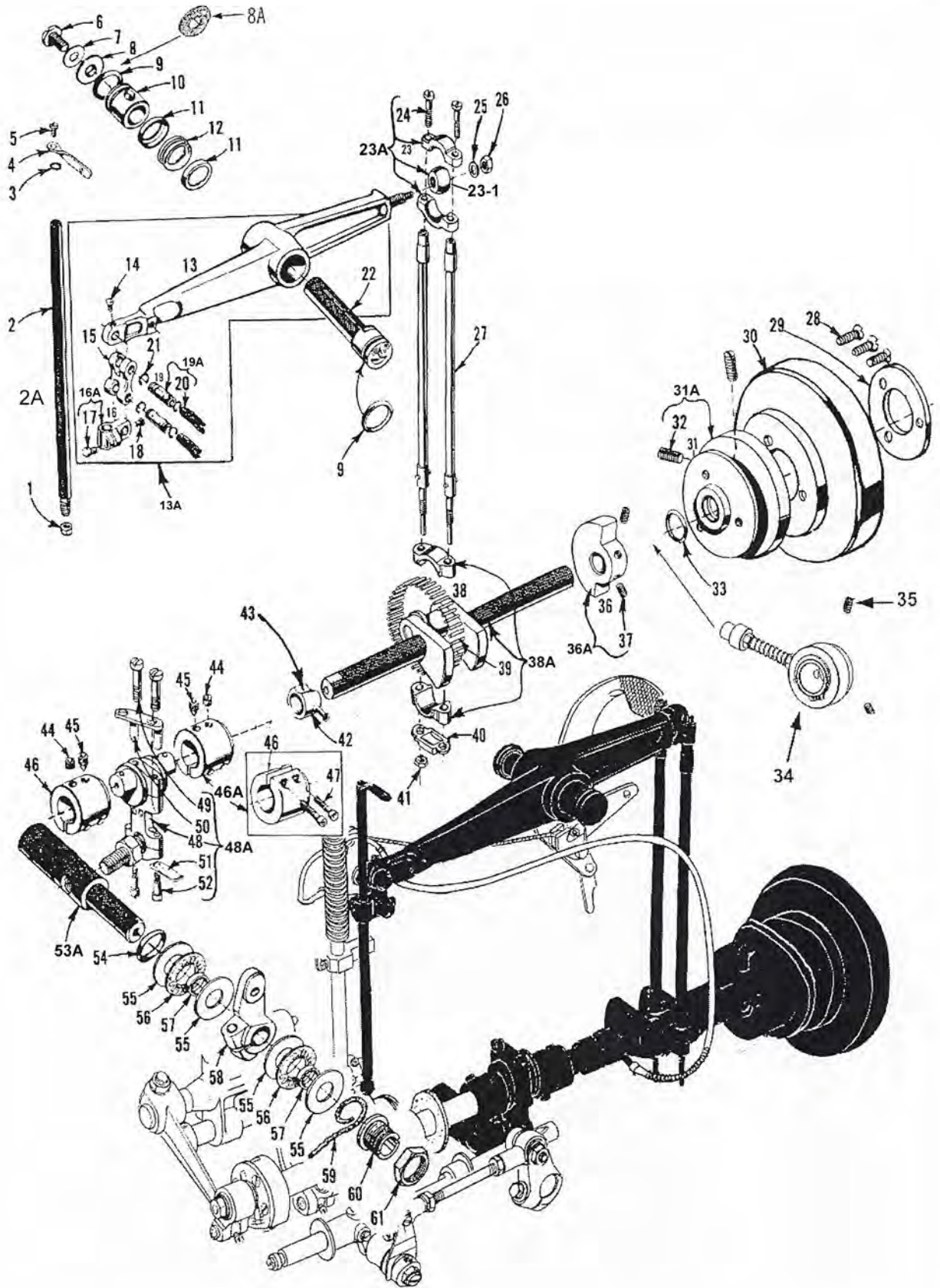
ITEM	PART NO.	DESCRIPTION	AMT. REQ.
1	561-0101	Bracket, for Finger Protector	1
1A	561-0101A	Bracket, for Finger Protector	1
2	561-0102	Screw	2
3	561-0103	Screw	1
4	561-0104	Finger Protector	1
5	561-0105	Presser Foot	1
6	800-0110	Screw	2
7	561-0107	Presser Foot Shank	1
8	561-0108	Screw	1
9	561-0109	Screw	2
10	561-0110	Needle Guard	1
11	561-0111	Throat Plate, for style 56100TB	1
12	561-0112	Feed Dog	1
13	561-0113	Cloth Plate Cover	1
13A	561-0113A	Cloth Plate Cover	1
14	561-0114	Spring	1
15	561-0115	Screw	1
16	561-0116	Washer, spring	3
17	561-0117	Screw	3
18	561-0118	Mainshaft	1
18A	561-0118A	Mainshaft	1
19	561-0119	Felt Wick	1
20	561-0120	Gasket	1
21	561-0121	Screw	1
22	561-0122	Feed Bar	1
22A	561-0122A	Feed Bar	1
23	561-0123	Screw	1
24	561-0124	Holder, feed dog	1
25	561-0125	Screw	1
26	561-0126	Screw	1
27	561-0127	Washer	1
28	800-0810	Nut	1



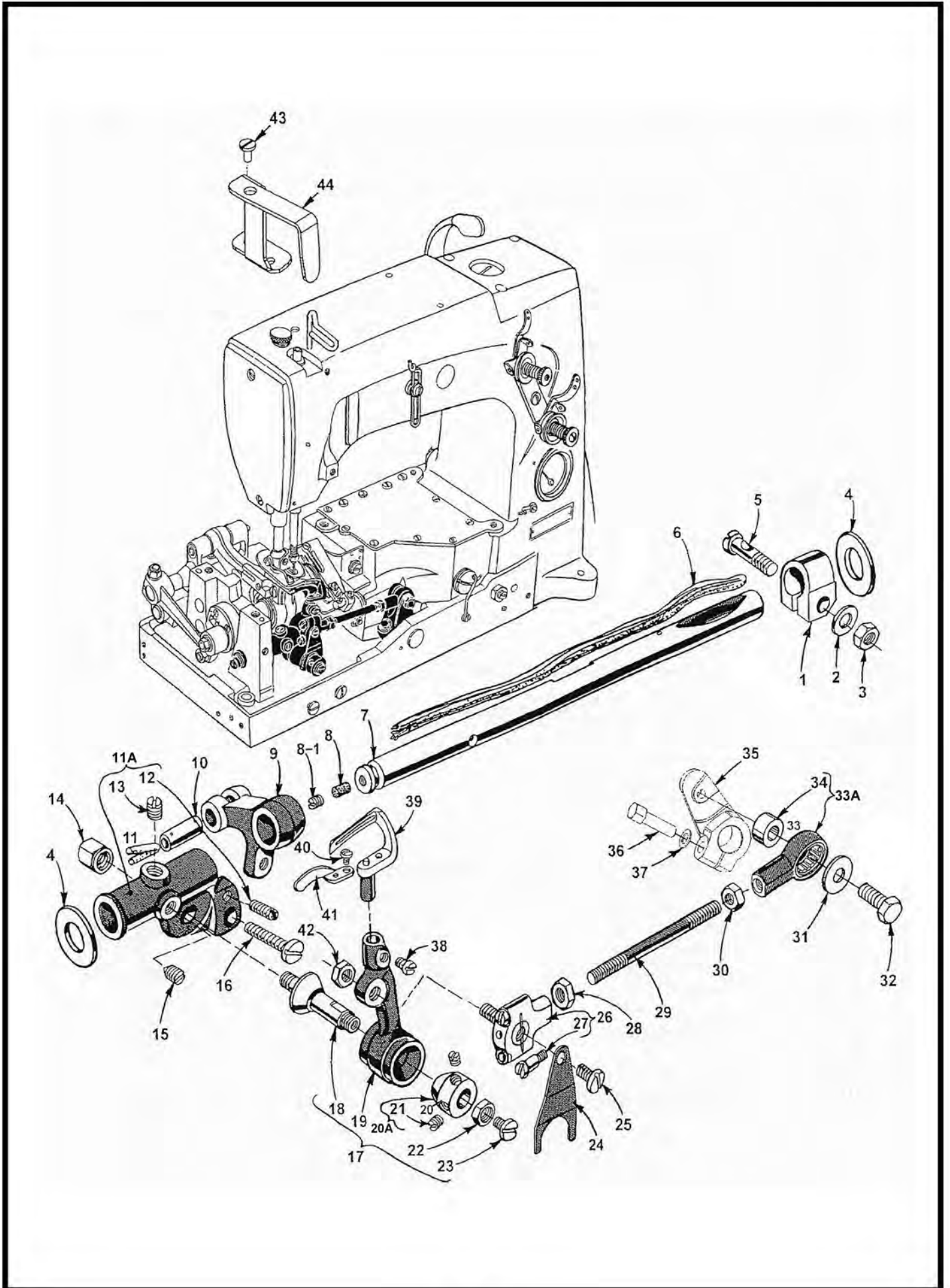
ITEM	PART NO.	DESCRIPTION	AMT. REQ.
1	800-0211	Screw	2
2	561-0202	Guard,belt	1
3	561-0203	Screw	2
4	561-0204	Eyelet, frame looper thread	1
5	561-0205	Screw	2
6	561-0206	Eyelet, take-up	2
7	561-0207	Wire, cast-off	1
8	561-0208	Pin, dowel	2
9	561-0209	Support, cast-off wire	1
10	561-0210	Washer	1
11	561-0211	Screw	1
12	561-0212	Screw	2
13	561-0213	Screw	1
14	561-0214	Support, auxiliary cast-off	1
15	561-0215	Cast-off, auxiliary	1
16	561-0216	Support, cast-off wire	1
17	561-0217	Screw	1
18	561-0218	Wire, cast-off	1
19	561-0219	Eyelet, frame looper thread	1
20	561-0220	Screw	2
21	561-0221	Guard	1
22	561-0222	Screw	2
23	561-0223	Cover,head	1
23A	561-0223A	Cover,head	1
24	561-0224	Felt	1
25	561-0225	Gasket	1
26	561-0226	Screw	1
26A	561-0226A	Screw	1
27	561-0227	Clamp, head oil tube	2
28	561-0228	Nut	1
29	561-0229	Block, head oil tube mounying	2
30	561-0230	Plate, presser bar connection guide	2
31	561-0231	Screw	1
32	561-0232	Lockwasher	3
33	561-0233	Screw	1
34	561-0234	Screw, plug	1
35	561-0235	Gasket, needle lever eyelet	1
36	561-0236	Screw, adapter	1
37	561-0237	Eyelet, frame needle thread	1
38	561-0238	Washer	1
39	561-0239	Screw	1
40	561-0240	Screw, needle lever thrust collar an	1
41	561-0241	Gasket	1
42	561-0242	Cover,lower crank chamber	1
43	561-0243	Screw	4
44	561-0244	Gasket	1
45	561-0245	Cover, top oil reservoir	1
46	561-0246	Screw	8
47	561-0247	Screw	3
48	561-0248	Screw, throat plate support	3
50	561-0250	Screw	2
51	561-0251	Support, throat plate	1
51A	561-0251A	Support, throat plate	1
52	561-0252	Pin, dowel	2
53	561-0253	Screw, for styles 56100PB, TB	2
54	561-0254	Cover, looper drive shaft	1
55	561-0255	Gasket	1
56	561-0239	Screw	9
57	561-0257	Cover, back, oil reservoir	1
58	561-0258	Gasket	1
59	561-0259	Block, clamping	1
60	561-0260	Plate, oil drip	1
61	561-0246	Screw	2
62	561-0262	Oil Return Pump Assembly	1
62A	800-0631	Screw	1
63	561-0263	Washer	1
64	561-0264	Nut	1
65	561-0265	Oil return tube assembly	1
66	561-0266	Felt	1
66A	561-0266A	Clamp. Oil tube	1
67	561-0267	Plug	1



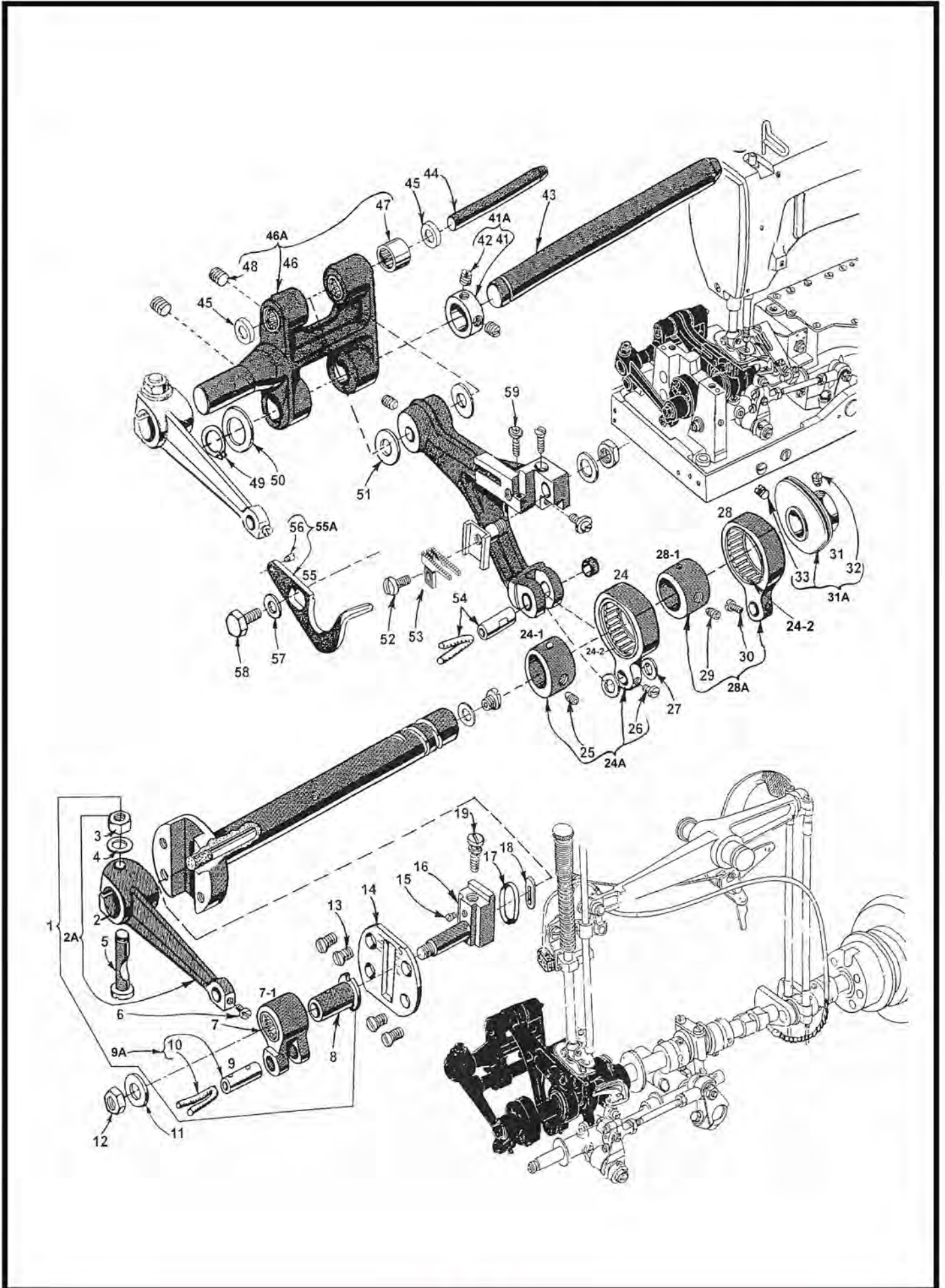
ITEM	PART NO.	DESCRIPTION	AMT. REQ.
1	561-0301	Screw, plug	2
2	561-0302	Gauge, oil sight	1
3	561-0303	Gasket	1
4	561-0304	Housing, crankshaft bushing, includes bushing	1
5	561-0305	Screw	3
6	561-0306	Washer, thrust	4
7	561-0307	Bearing, needle, thrust	2
8	561-0308	Ring, pilot	2
9	561-0309	Plate, oil and baffle	1
10	561-0310	Screw	2
11	561-0311	Gasket	1
12	561-0312	Cover, upper crank chamber	1
13	561-0313	Screw	4
14	561-0314	Plug, oil filter	1
15	561-0315	Cloth plate	1
16	561-0248	Screw	2
17	561-0317	GUIDE	1
18	561-0318	Screw	2
24	800-0432	Screw	2
24-1	561-0324-1	Screw	1
25	561-0325	Bracket, for shields	1
26	561-0239	Screw	3
27	561-0327	Screw	3
28	561-0328	Wire, needle thread take-up	1
29	561-0329	Bushing, needle bar (upper)	1
30	561-0234	Screw, plug	1
31	561-0331	Pad, felt	1
32	561-0332	Pump Assembly, oil, head	1
33	561-0333	Felt	1
34	561-0334	Bushing, needle bar (lower)	1
35	561-0335	Bushing, presser bar (lower)	1
36	561-0336	Bushing, feed rocker shaft	2
37	561-0337	Bearing Assembly	1
38	561-0338	Felt	1
39	561-0339	Bushing, looper rocker shaft	2
40	561-0340	Felt, machine base (front)	1
41	561-0341	Bushing, looper drive lever shaft (front)	1
42	561-0342	Bushing, mainshaft (intermediate)	1
43	561-0343	Bushing, looper drive lever shaft (rear)	1
44	561-0344	Filter, oil intake	1
45	561-0345	Bushing, mainshaft (inner right)	1
46	561-0346	Bushing, tension release lever shaft	1
47	561-0347	Oil Shield, left	1
48	561-0348	Oil Shield, rear	1



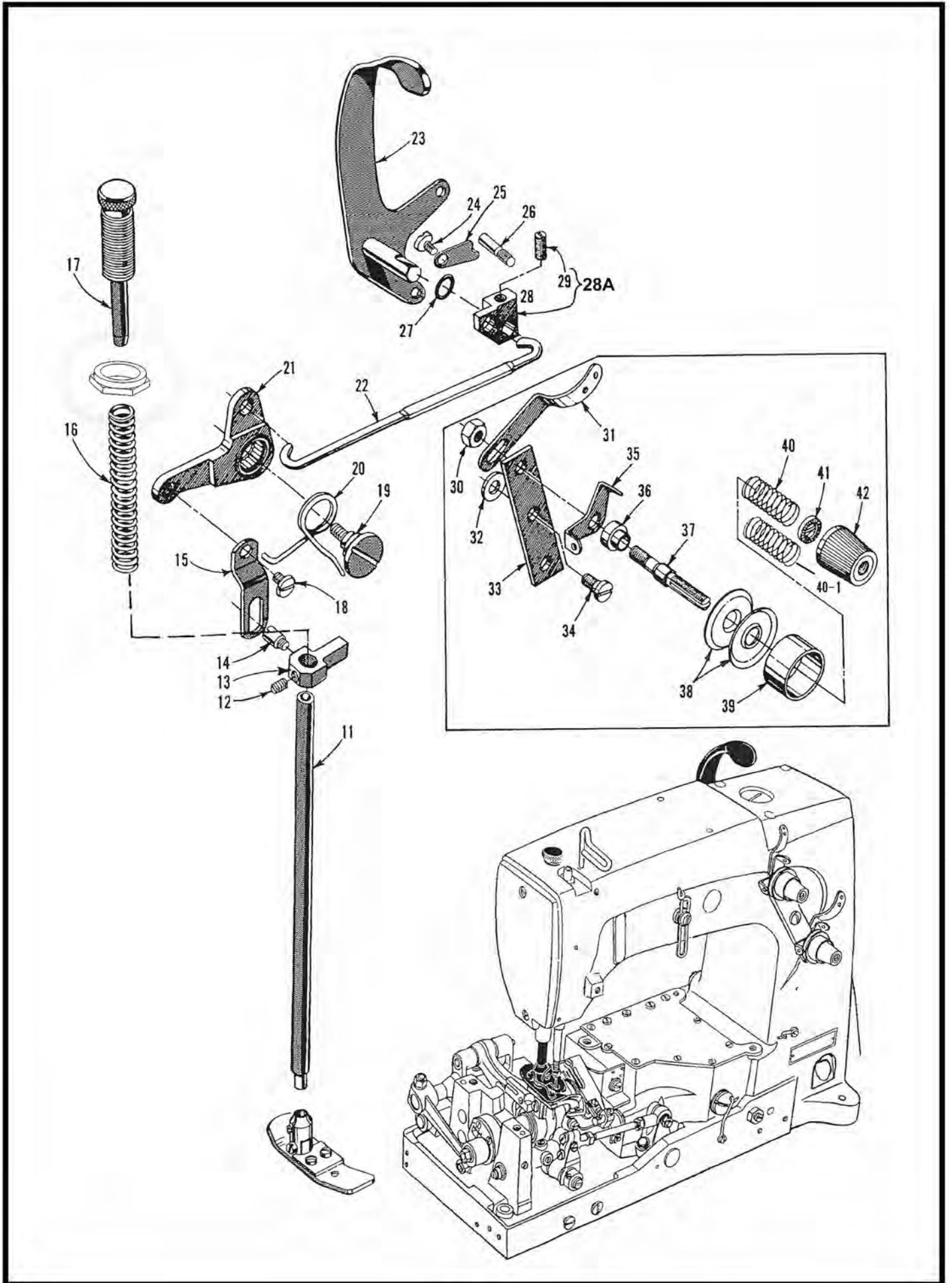
ITEM	PART NO.	DESCRIPTION	AMT. REQ.
1	561-0401	Nut	1
2	561-0402	Needle Bar	1
2A	561-0402A	Needle Bar	1
3	561-0403	Washer, needle bar eyelet	1
4	561-0404	Eyelet, needle bar thread	1
5	561-0405	Screw	1
6	561-0406	Screw	1
7	561-0407	Gasket	1
8	561-0408	Washer	1
8A	561-0408A	Gasket	1
9	561-0409	O Ring	2
10	561-0410	Collar, needle lever thrust	1
11	561-0411	Cup, compression	2
12	561-0412-NL	Ring, temper load	1
13	561-0413	Lever Assembly, needle	1
13A	561-0413A	NEEDLE LEVER ASSEMBLY	
14	561-0213	Screw	1
15	561-0415	Link, connecting	1
16	561-0416	Connection, needle bar	1
16A	561-0416A	Connection, needle bar	1
17	561-0226A	Screw	1
18	561-0418	Screw	1
19	561-0419	Pin, link	2
19A	561-0419A	Pin, link	2
20	800-0114A	Yarn	2
21	561-0421	Ring, retaining	4
22	561-0422	Stud, needle lever	1
23	561-0423	Ball Joint, needle lever (upper)	1
23A	561-0423A	Ball Joint, needle lever (upper)	1
24	561-0424	Screw	2
25	561-0425	Washer	1
26	561-0426	Nut	1
27	561-0427	Connecting Rod, needle lever	2
28	800-0205	Screw	3
29	561-0429	Plate, retaining	1
30	561-0430	Handwheel, for styles 56100MZ27B,MZ34B	1
31	561-0431	Pulley	1
31A	561-0431A	Pulley	1
32	561-0432	Screw	2
33	561-0433	O Ring	1
34	561-0262	Oil Return Pump Assembly	1
35	800-0631	Screw	2
36	561-0436	Counterweight	1
36A	561-0436A	Counterweight	1
37	800-0105	Screw	2
38	561-0438	Crankshaft Sub-Assembly, for styles 56100MB, TB	1
38A	561-0438A	Crankshaft Sub-Assembly, for styles 56100MB, TB	1
39	561-0439	Bearing, needle, 0626 inch (1590mm) diameter	28
40	561-0440	Guide, connecting rod	1
41	800-0904	Nut	1
44	800-0325	Screw, set	2
45	800-0748	Screw, spot	2
46	561-0446	Coupling	2
46A	561-0446A	Coupling	2
47	561-0447	Screw	2
48	561-0448	Crank Assembly, looper driving lever	1
48A	561-0448A	Crank Assembly, looper driving lever	1
49	561-0449	Screw, bearing cap (upper)	2
50	561-0450	Guide, ball joint	1
51	561-0451	Splasher, oil	1
52	561-0452	Screw, bearing cap (lower)	2
53A	561-0453A	Shaft, looper drive rocker	1
54	561-0433	O Ring	1
55	561-0306	Washer, thrust	4
56	561-0307	Bearing, needle, thrust	2
57	561-0308	Ring, pilot	2
58	561-0535	Lever, looper drive, marked "D"	1
59	561-0459	Wick, oil	1
60	561-0460	Screw, thrust synchronizing adjusting	1
61	561-0461	Screw, thrust synchronizing adjusting	1
62	561-0462	NCEDLC UY-143GS	1



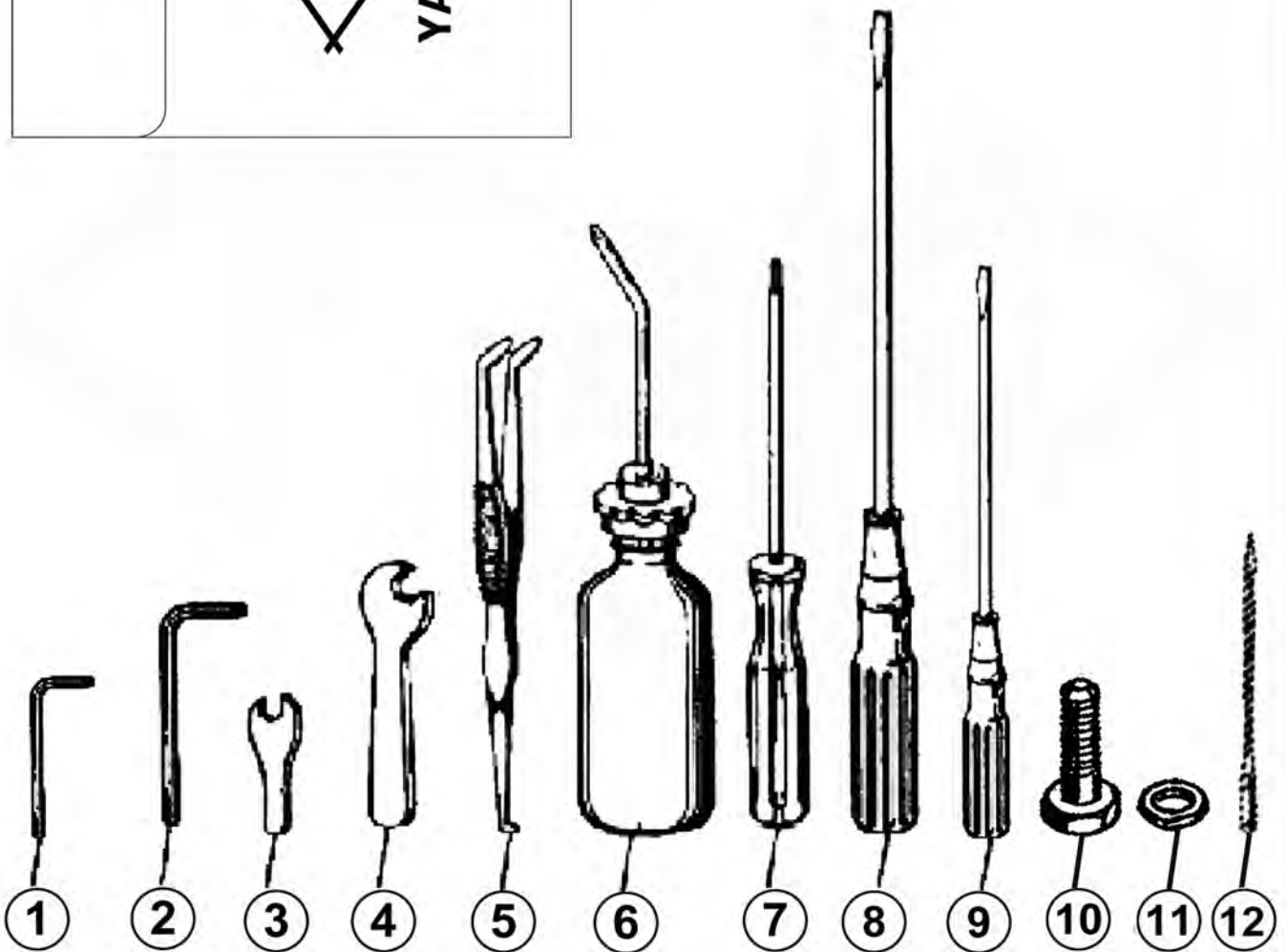
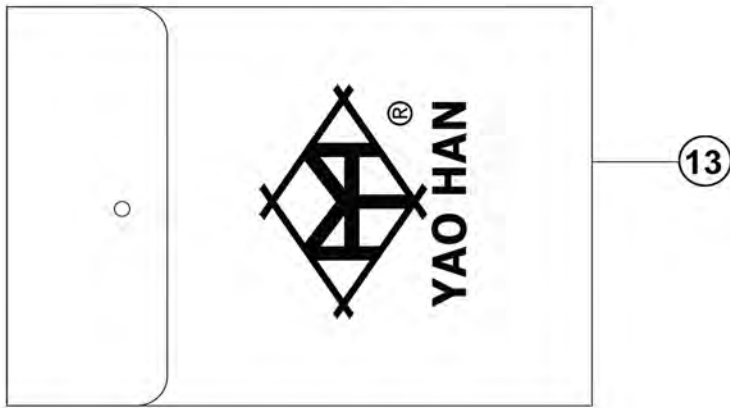
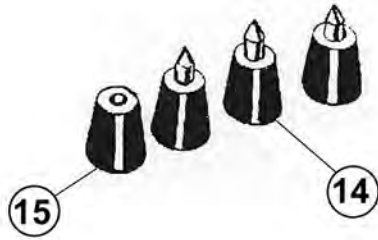
ITEM	PART NO.	DESCRIPTION	AMT. REQ.
1	561-0501	Collar, looper rocker shaft	1
2	561-0425	Washer	1
3	800-0550	Nut	1
4	561-0504	Washer, thrust	2
5	561-0505	Stud	1
6	800-0114A	Yarn	1
7	561-0507	Shaft, looper rocker	1
8	561-0508	Cork	1
8-1	561-0508-1	Screw	1
9	561-0509	Arm, looper rocker shaft	1
10	561-0609	Pin, link	1
11	561-0511	Frame, looper rocker	1
11A	561-0511A	Frame, looper rocker	1
12	561-0512	Screw, stop	1
13	800-0543	Screw, set	1
14	561-0514	Nut	1
15	800-0603	Screw, spot	1
16	561-0516	Screw, lock	1
17	561-0517	Rocker Assembly, looper	1
18	561-0518	Stud, rocker cone	1
19	561-0519	Rocker, looper, marked "S"	1
20	800-0630	Cone, looper rocker	1
20A	561-0520A	Cone, looper rocker	1
21	800-0631	Screw	2
22	800-0810	Nut, check	1
23	561-0201	Screw	1
24	561-0524	Oiler, looper connecting rod ball joint (left)	1
25	561-0525	Screw	1
26	561-0526	Ball Joint, looper connecting rod (left)	1
27	561-0527	Screw	2
28	800-0640	Nut, left hand thread	1
29	561-0529	Connecting Rod, looper	1
30	800-0550	Nut, right hand thread	1
31	561-0238	Washer	1
32	561-0532	Screw, for styles 56100MB, TB	1
33	561-0533	Bearing Assembly, looper connecting rod (right)	1
33A	561-0533A	Bearing Assembly, looper connecting rod (right)	1
34	561-0534	Ferrule	1
35	561-0535	Lever, looper drive, for styles 56100MB, TB	1
36	561-0536	Screw	1
37	561-0537	Washer	1
38	561-0538	Screw, looper	1
39	561-0539	Looper	1
40	800-0749	Screw	1
41	561-0541	Guard, looper needle	1
42	800-0550	Nut	1
43	561-0247	Screw	1
44	561-0544	Needle Bar Guard	1



項次	耀瀚品號	原裝品號	品名	用量
1	561-0601A	29476ZJ	送布臂	1
2	561-0602		送料搖桿	1
2A	561-0602A	56335S	送料搖桿	1
3	561-0603	55235E	螺帽 0.257-40 T-5.5	1
4	561-0127	6042A	墊圈	1
5	561-0605	55235D	螺絲 0.257-40	1
6	561-0213	77-US	螺絲 0.124-50 L-4.6	1
7	561-0607	56336N	連桿	1
8	561-0608	56336C	送料曲柄套圈	1
9	561-0609	51236J	梢	1
9A	561-0609A	561-0607-1	梢	1
10	561-0420	WO3	油棉	1
11	561-0210	21657E	華司	1
12	800-0640	269	螺帽	1
13	561-0613	22525A	螺絲 0.182-40 L-7.8	4
14	561-0614	56322C	主軸前端板	1
15	561-0615	22798C	螺絲 0.088-64 L-1.9	1
16	561-0616	56336	送料曲柄栓	1
17	561-0617	660-269B	X型環	1
18	561-0618	56336D	進給曲柄螺栓嵌塊	1
19	561-0619	22543C	螺絲 0.146-40	1
24	561-0624		偏心輪桿	1
24A	561-0624A	29476NM140	偏心輪桿	1
25	561-0625	22894AA	螺絲 0.182-40 L-4.5	1
26	561-0213	77-US	螺絲 0.124-50 L-4.6	1
27	561-0627	39543N	華司	2
28	561-0628		偏心連桿	1
28A	561-0628A	29476NM096	偏心連桿	1
29	561-0625	22894AA	螺絲 0.182-40 L-4.5	1
30	561-0213	77-US	螺絲 0.124-50 L-4.6	1
31	561-0631		彎針天秤	1
31A	561-0631A	56123	彎針天秤	1
32	561-0632	22764C	螺絲 0.214-32 L-4.9	1
33	561-0633	22580D	螺絲 0.214-32 L-3.2	1
41	561-0641		軸套	1
41A	561-0641A	56335D	軸套	1
42	800-0543	98	螺絲	2
43	561-0643	56335L	軸	1
44	561-0644	56334B	進料桿	1
45	561-0645	56384	墊圈	2
46	561-0646		送料搖桿	1
46A	561-0646A	56335G	送料搖桿	1
47	561-0647	660-1009	滾針軸承	2
48	561-0648	22651CD4	螺絲 SM1/4-28 L-6.4	2
49	561-0649	660-438	C型扣環	1
50	561-0650	41391	華司	1
51	561-0651	61341J	墊片	2
52	800-0211	22528	螺絲 0.182-40 L-9.2	1
53	561-0112	660SL	狗齒	1
54	561-0609A	51236J	梢	1
55	561-0655		針擋	1
55A	561-0655A	56125	針擋	1
56	561-0656	22801	螺絲 0.124-50	1
57	561-0657	9255	華司	1
58	561-0658	18-715	螺絲 #10-32 L9.6	1
59	561-0659	22834A	調整螺絲 0.11-40	1



ITEM	PART NO.	DESCRIPTION	AMT. REQ.
11	561-0711	Bar, presser	1
12	561-0712	Screw	1
13	561-0713	Connection and Guide, presser bar	1
14	561-0714	Screw	1
15	561-0715	Link, lifter lever	1
16	561-0716	Spring, presser	1
17	561-0717	Regulator, presser spring	1
18	561-0718	Screw	1
19	561-0719	Screw	1
20	561-0720	Spring	1
21	561-0721	Bell Crank, presser foot lifter lever	1
21-1	561-0721-1	Bell Crank, presser foot lifter lever	1
22	561-0722	Connecting Rod, presser foot lifter lever	1
23	561-0723	Lever, presser foot lifter	1
24	561-0718	Screw	1
25	561-0725	Latch, lever	1
26	561-0726	Pin, stop	1
27	561-0727	O Ring	1
28	561-0728	Lever, internal, presser foot lifter	1
28A	561-0728A	Lever, internal, presser foot lifter	1
29	561-0729	Screw	1
30	561-0730	Nut	1
31	561-0731	Guide, lead-in	2
32	561-0732	Washer, spacer	1
33	561-0733	Support, tension post	1
33A	561-0733A	Support, tension post	1
34	561-0734	Screw	1
35	561-0735	Eyelet, tension post	2
36	561-0736	Ferrule, tension post	2
37	561-0737	Post, tension	2
38	561-0738	Disc, tension	4
39	561-0739	Shield, thread tension spring	2
40	561-0740	Spring, needle thread tension for styles 56100MB, PB	1
40-1	561-0740-1	Spring, looper thread tension	1
41	561-0741	Ferrule, tension spring	2
42	561-0742	Nut	2



ITEM	PART NO.	DESCRIPTION	AMT. REQ.
1	3002406	Hex Socket Head Wrench, size 5 mm for Styles U700H and HA	1
2	3002406-1	Hex Socket Head Wrench, size 5 mm for Styles U700H and HA	1
3	800-1002	Single Jawed Wrench, size 9/32" (7.2 mm)	1
4	800-1003	Single Jawed Wrench, size 3/8" (9.5 mm)	1
5	800-1004	Tweezers	1
6	800-1005	Oil Can	1
7	800-1006	Screwdriver for hex socket head screw, size 3/32"	1
8	800-1007	Screwdriver	1
9	800-1008	Screwdriver	1
10	800-1009	Machine Fastening Screw	3
11	800-1010	Washer	3
12	800-0453	Needle	2
13	9000901	Accessory bag	1
14	561-0818	Isolator	3
15	561-0819	Isolator	1



YAO HAN



YAO HAN



耀瀚股份有限公司
YAO HAN INDUSTRIES CO., LTD.

<http://www.yaohan.com.tw>

YAO HAN (Taiwan) Head Office & Factory
No.31, Lane. 145, Fuying Rd., Xinzhuang Dist.,
New Taipei City 242, Taiwan
TEL : 886-2-2904-2223 FAX : 886-2-2903-3598
E-mail : es@yaohan.com.tw

YAO HAN(Hong Kong) Branch Office
7/F., Airgoal Cargo Building, 330 Kwun Tong Road,
Kwun Tong, Kowloon, Hong Kong
TEL : 852-27508832 FAX : 852-27576433
E-mail : yaohan@yaohanhk.com

YAO HAN (China) Branch Office
201, Building 1, Lane 5, Zhuwan Village, Nanlian Community,
Longgang Street, Longgang District, Shenzhen City, China
TEL : 86-755-89359689 FAX : 86-755-89901057
E-mail: yaohan.cnws001@gmail.com

2016.04