

YAO HAN

縫袋口機

MODEL

BAG CLOSING MACHINE

U700C

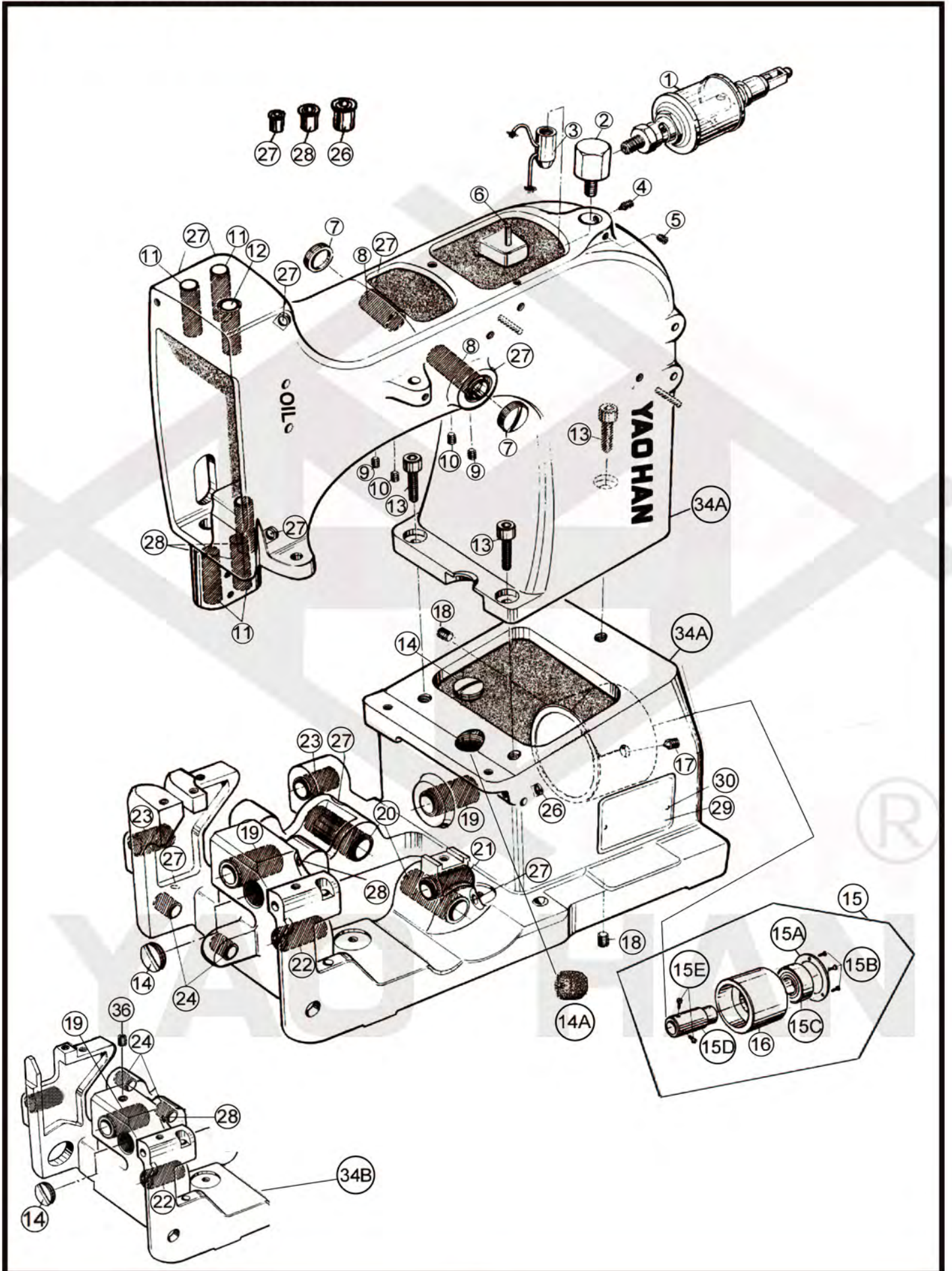
PARTS BOOK 零件本

U700RL



耀瀚股份有限公司
YAO HAN INDUSTRIES CO., LTD.

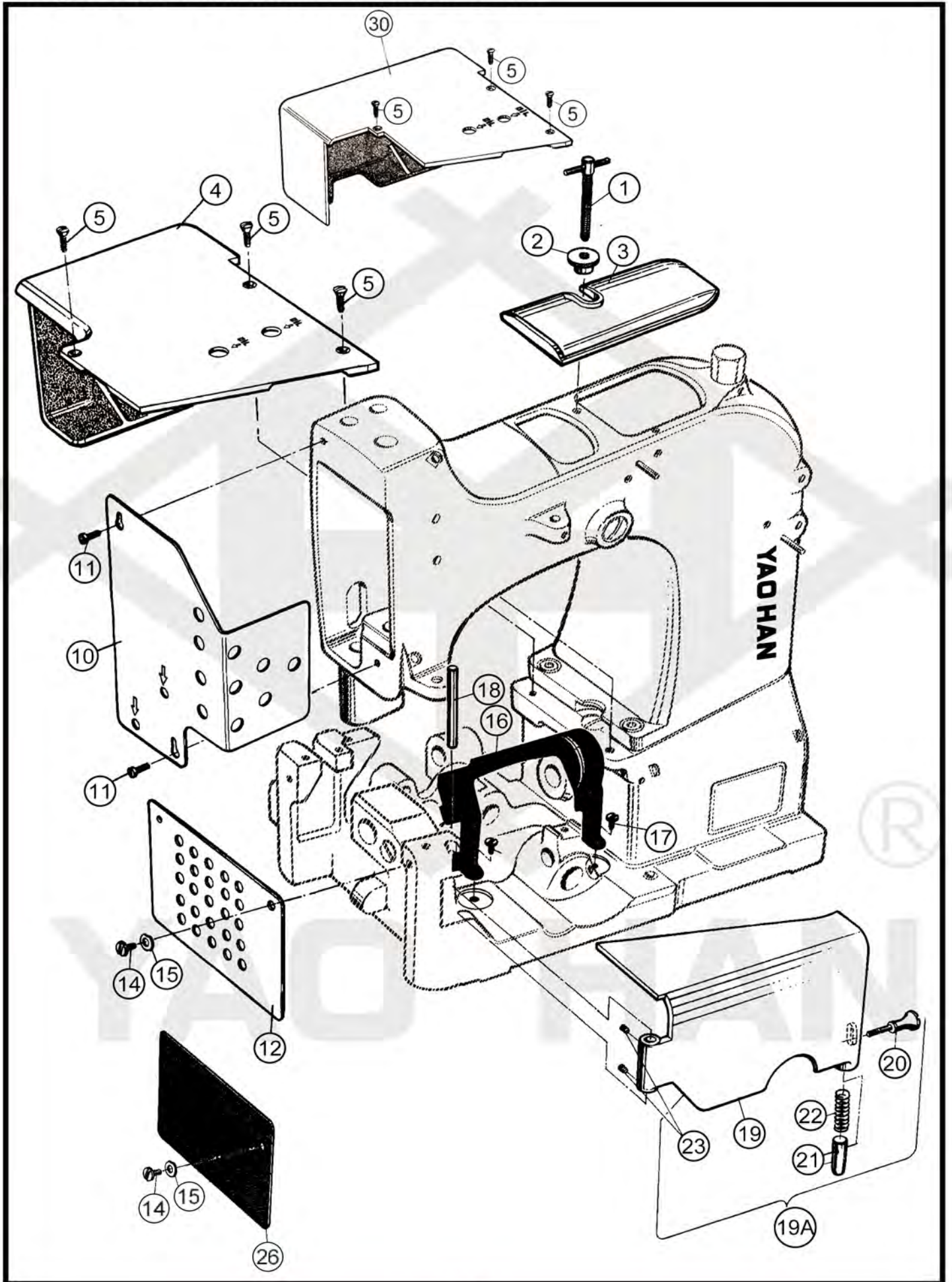
BUSHINGS AND OILING PARTS



BUSHINGS AND OILING PARTS

ITEM	PART NO.	DESCRIPTION	AMT. REQ.
1	800-0101	Sight Feed Oiler	1
2	800-0102	Union Elbow	1
3	800-0103	Oil Distributor	1
4	800-0104	Spot Screw, headless	1
5	800-0105	Set Screw	1
6	800-0106	Pin	1
7	800-0107	Plug Screw	2
8	800-0108	Bushing for needle lever shaft	2
9	800-0109	Set Screw for needle lever shaft bushing	2
10	800-0110	Set screw for plug screw	2
11	800-0111	Presser Bar Bushing (see note)	4
12	800-0112	Needle Bar Bushing (see note)	2
13	800-0113	Screw (see note)	3
14	800-0114	Plug Screw	2
14A	800-0114A	Wick Yarn, length 50 mm (2") (please specify length when ordering)	1
15	800-0115	Ball Bearing Assembly for crankshaft	
15A	800-0115A	Retaining Ring	1
15B	800-0115B	Screw	3
15C	800-0115C	Deep Groove Ball Bearing	1
15D	800-0115D	Hub	1
15E	800-0115E	Screw	2
16	800-0116	Bearing	1
17	800-0117	Spot Screw for crankshaft bearing housing	2
18	800-0118	Set Screw for crankshaft bearing housing	1
19	800-0119	Bushing for crankshaft	2
20	800-0120	Bushing for looper driver lever rocker shaft	2
21	800-0121	Looper Shaft Bushing, right	1
22	800-0122	Looper Shaft Bushing, left	1
23	800-0123	Feed Rocker Shaft Bushing	2
24	800-0124	Knife Lever Shaft Bushing	2
26	800-0126	Oiler, shank dia. 7 mm	1
27	800-0127	Oiler, shank dia. 5 mm	9
28	800-0128	Oiler, shank dia. 6 mm	3
29	800-0129	Name Plate	1
30	800-0130	Grooved Drive Pin, round head	2
34A	800-0134A	Head machine	1
©34B	800-0134B	U700RL Machine body	1
©36	800-0136	Screw	1

CLOTH PLATES AND MISCELLANEOUS COVERS

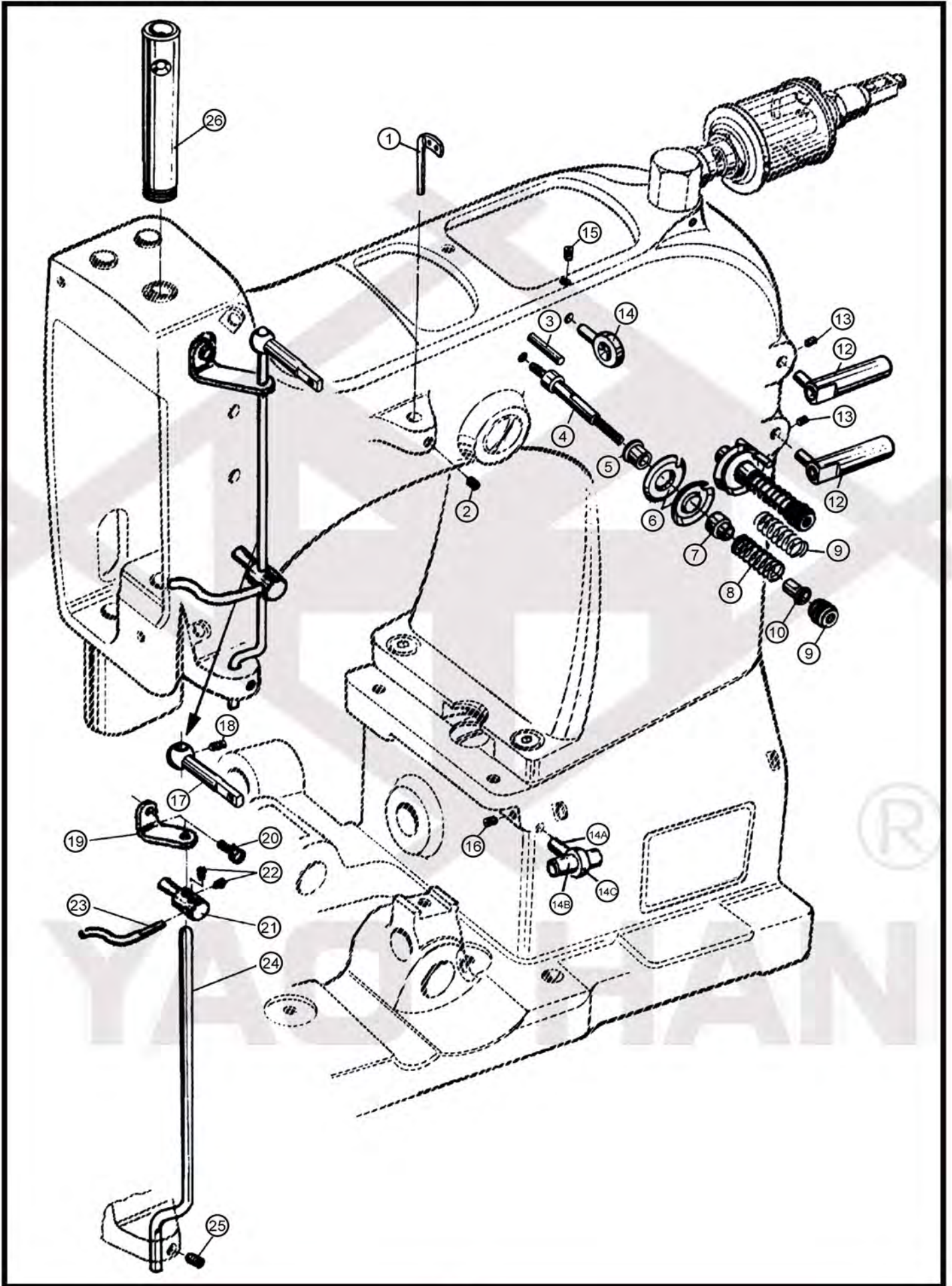


CLOTH PLATES AND MISCELLANEOUS COVERS

ITEM	PART NO.	DESCRIPTION	AMT. REQ.
1	800-0201	T-Screw	1
2	800-0202	Knurled Nut	1
3	800-0203	Arm Cover	1
4	800-0204	Cloth Plate for Styles U700C, D and E	1
5	800-0205	Countersunk Screw	3
10	800-0210	Face Cover	1
11	800-0211	Screw	2
12	800-0212	End Cover for Styles U700C, D and E	1
14	800-0214	Shoulder Screw	1
15	800-0215	Spring Washer	1
16	800-0216	Guard	1
17	800-0217	Screw	2
18	800-0218	Hinge Pin	1
19A	800-0219A	Hinge Cover Assembly for Styles U700C, D and E	1
19	800-0219	Hinge Cover	1
20	800-0220	Locking Bolt Knob	1
21	800-0221	Locking Bolt	1
22	800-0222	Spring	1
23	800-0109	Set Screw for needle lever shaft bushing	2
◎26	800-0226	End Cover for Styles U700R,S,RL,SL	1
◎30	800-0230	Cloth Plate for Styles U700R,S,RL,SL	1

◎ FOR U700RL

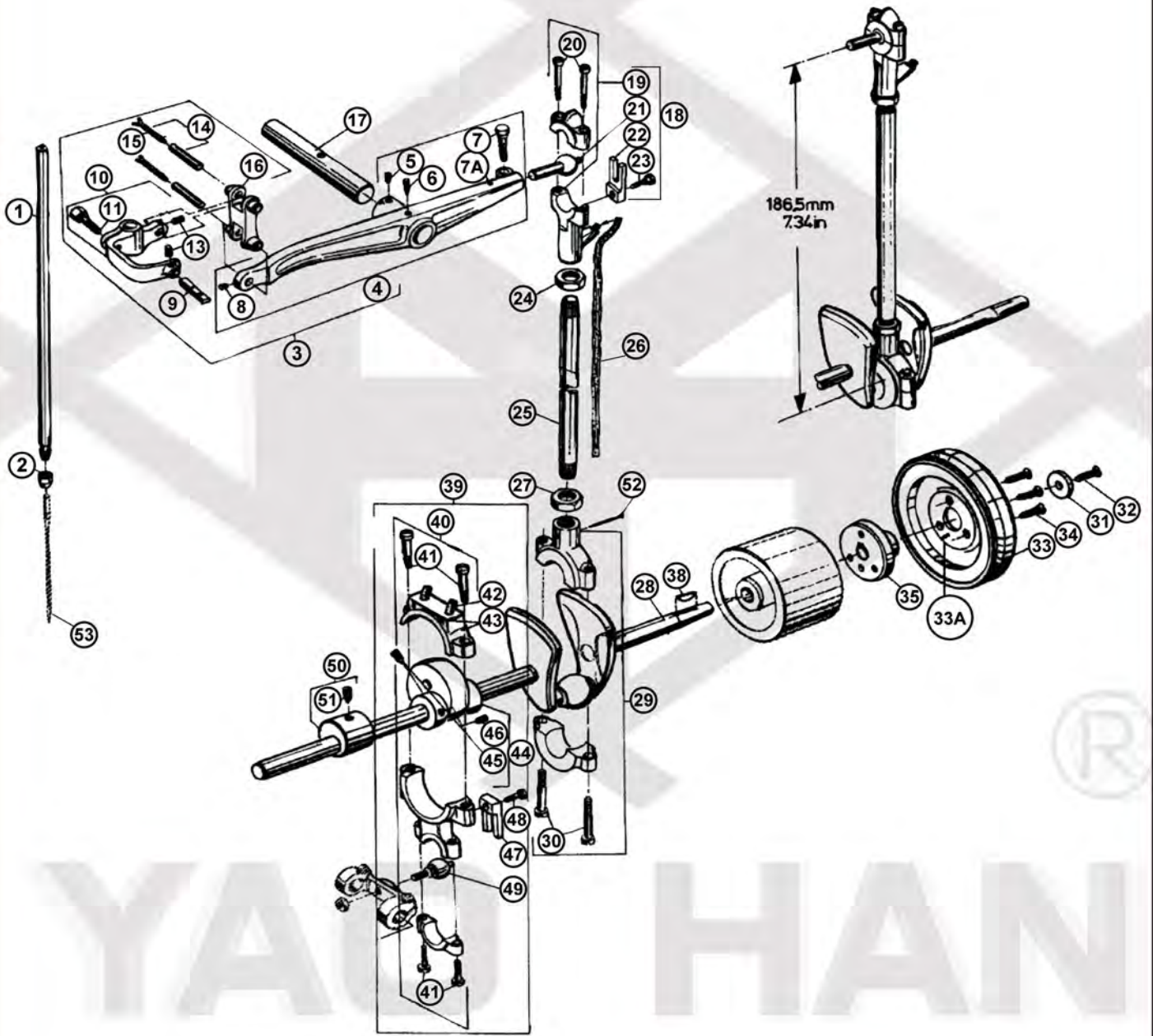
THREAD TENSIONS



THREAD TENSIONS

ITEM	PART NO.	DESCRIPTION	AMT. REQ.
1	800-0301	Needle Thread Guide	1
2	800-0302	Set Screw	1
3	800-0106	Pin	2
4A	800-0304A	THREAD TENSION ASSEMBLY	1
4B	800-0304B	THREAD TENSION ASSEMBLY	1
4	800-0304	Tension Post	2
5	9800203	Tension Post Ferrule	2
6	800-0306	Tension Disc	4
7	800-0307	Tension Sleeve	2
8	800-0308	Spring for needle thread tension	1
9	800-0309	Spring for looper thread tension	1
10	800-0310	Tension Spring Ferrule	2
11	800-0311	Tension Nut	2
12	800-0312	Thread Sleeve	2
13	800-0313	Set Screw	2
14	800-0314	Thread Eyelet	1
14A	800-0314A	Holder	1
14B	800-0314B	Ferrule	1
14C	800-0314C	Set Screw	1
15	800-0313	Set Screw	1
16	800-0302	Set Screw	1
17	800-0317	Guide for filler cord	1
18	800-0110	Set screw for plug screw	1
19	800-0319	Bracket	1
20	800-0320	Screw	1
21	800-0321	Needle Thread Take Up	1
22	800-0110	Set screw for plug screw	2
23	800-0323	Needle Thread Take Up Wire	1
24	800-0324	Support	1
25	800-0325	Set Screw	1
26	800-0326	Needle Bar Guard	1

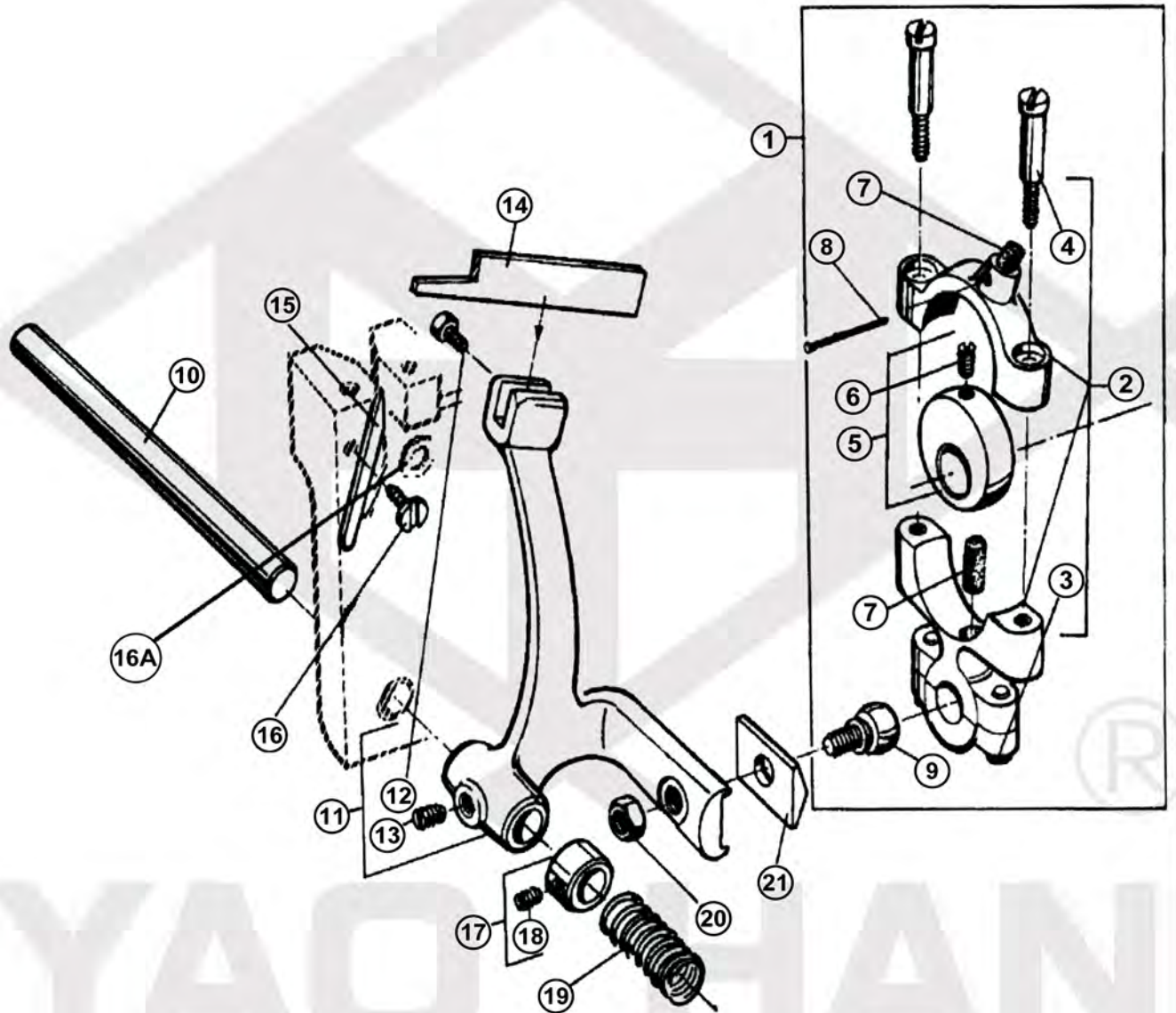
NEEDLE BAR & CRANK SHAFT PARTS



NEEDLE BAR & CRANK SHAFT PARTS

ITEM	PART NO.	DESCRIPTION	AMT. REQ.
1	800-0401	Needle Bar	1
2	800-0402	Needle Clamp Nut	1
3	800-0403	Needle Lever Assembly	1
4	800-0404	Needle Lever	1
5	800-0302	Set Screw	1
6	800-0104	Spot Screw, headless	1
7	800-0407	Screw	1
7A	800-0407A	Pin	1
8	800-0408	Set Screw	1
9	800-0409	Thread Eyelet	1
10	800-0410	Needle Bar Connection	1
11	800-0411	Screw	1
13	800-0413	Set Screw	2
14	800-0414	Link Pin, cyl.	2
15	800-0415	Oil Wick	2
16	800-0416	Connecting Link	1
17	800-0417	Needle Lever Shaft	1
18	800-0418	Needle Lever Ball Link	1
19	800-0419	Shell	1
20	800-0420	Screw	2
21	800-0421	Ball Stud	1
22	800-0422	Guide Fork	1
23	800-0423	Screw	1
24	800-0424	Nut, left hand thread	1
25	800-0425	Needle Lever Connecting Rod	1
26	800-0426	Oil Felt	1
27	800-0427	Nut, right hand thread	1
28	800-0428	Crank Shaft	1
29	800-0429	Shell	1
30	800-0420	Screw	2
31	800-0431	Lock Washer for pulley hub	1
32	800-0432	Countersunk Screw	1
33	800-0433	Pulley	1
33A	800-0433A	Pin	1
34	800-0432	Countersunk Screw	3
35	800-0435	Pulley Hub	1
38	800-0438	Woodruff Key	1
39	800-0439	Looper Drive Eccentric Assembly	1
40	800-0440	Connection	1
41	800-0441	Screw	4
42	800-0442	Oil Wick	2
43	800-0443	Pin	2
44	800-0444	Eccentric	1
45	800-0445	Spot Screw, headless	1
46	800-0325	Set Screw	1
47	800-0422	Guide Fork	1
48	800-0423	Screw	1
49	800-0449	Ball Stud	1
50	800-0450	Looper Avoid Eccentric	1
51	800-0104	Spot Screw, headless	1
52	800-0443	Pin	1
53	800-0453	Needle	1

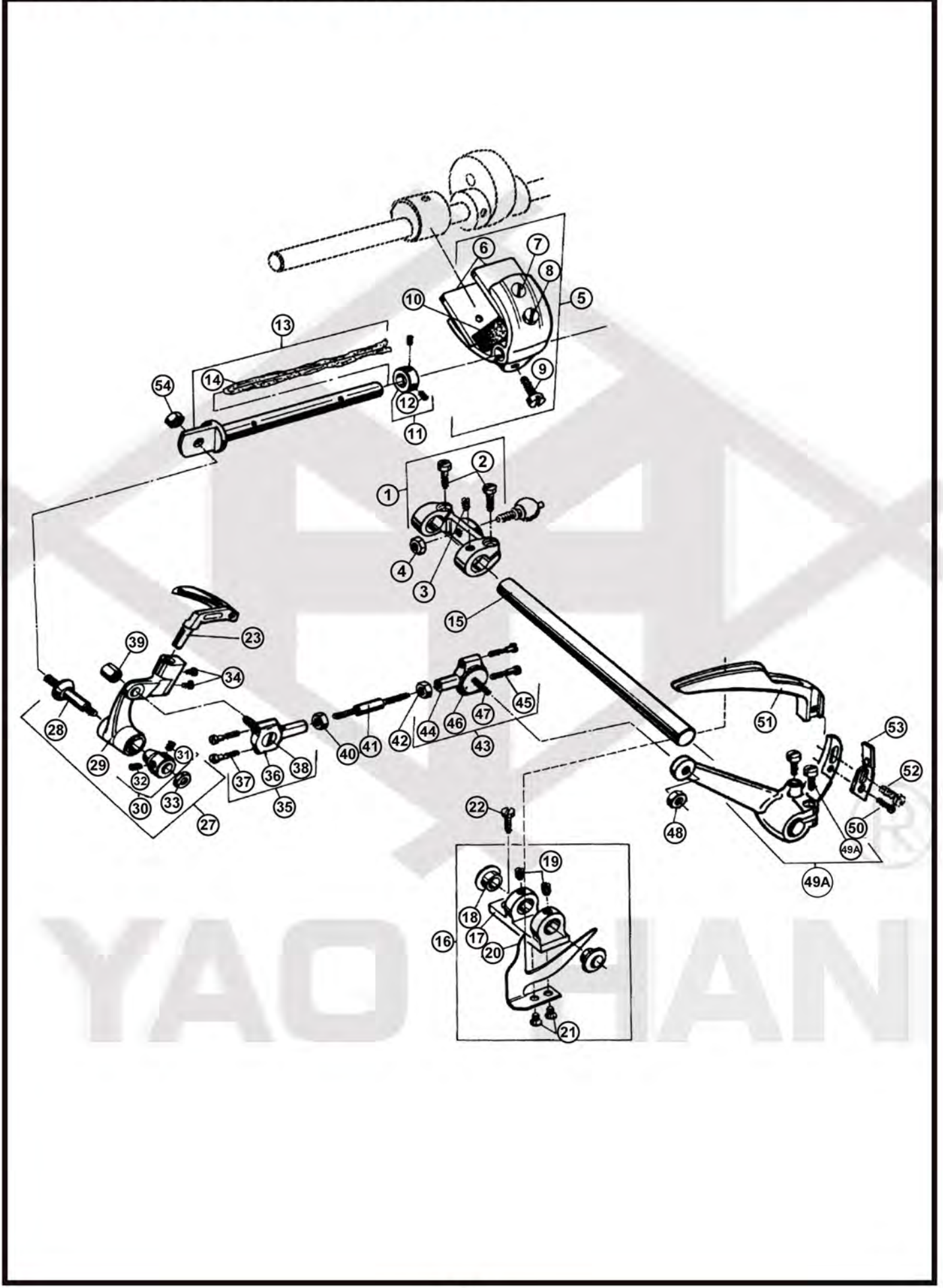
CUTTER PARTS (FOR U700C)



CUTTER PARTS (FOR U700C)

ITEM	PART NO.	DESCRIPTION	AMT. REQ.
1	800-0531	Connection Assembly for chain cutter drive	1
2	800-0532	Connection Bearing	1
3	800-0533	Screw	2
4	800-0534	Screw	2
5	800-0535	Eccentric	1
6	800-0748	Spot Screw, headless	1
7	800-0537	Felt	1
8	800-0443	Pin	1
9	800-0539	Ball Stud	1
10	800-0540	Shaft for chain cutter knife	1
11	800-0541	Knife Bar	1
12	800-0542	Screw for upper knife	1
13	800-0543	Screw	1
14	800-0544	Upper Knife	1
15	800-0545	Lower Knife	1
16	800-0546	Screw	1
16A	800-0706	Washer	1
17	800-0547	Collar	1
18	800-0110	Set screw for plug screw	1
19	800-0308	Spring for needle thread tension	1
20	800-0550	Nut	1
21	800-0551	Ball Stud Washer	1

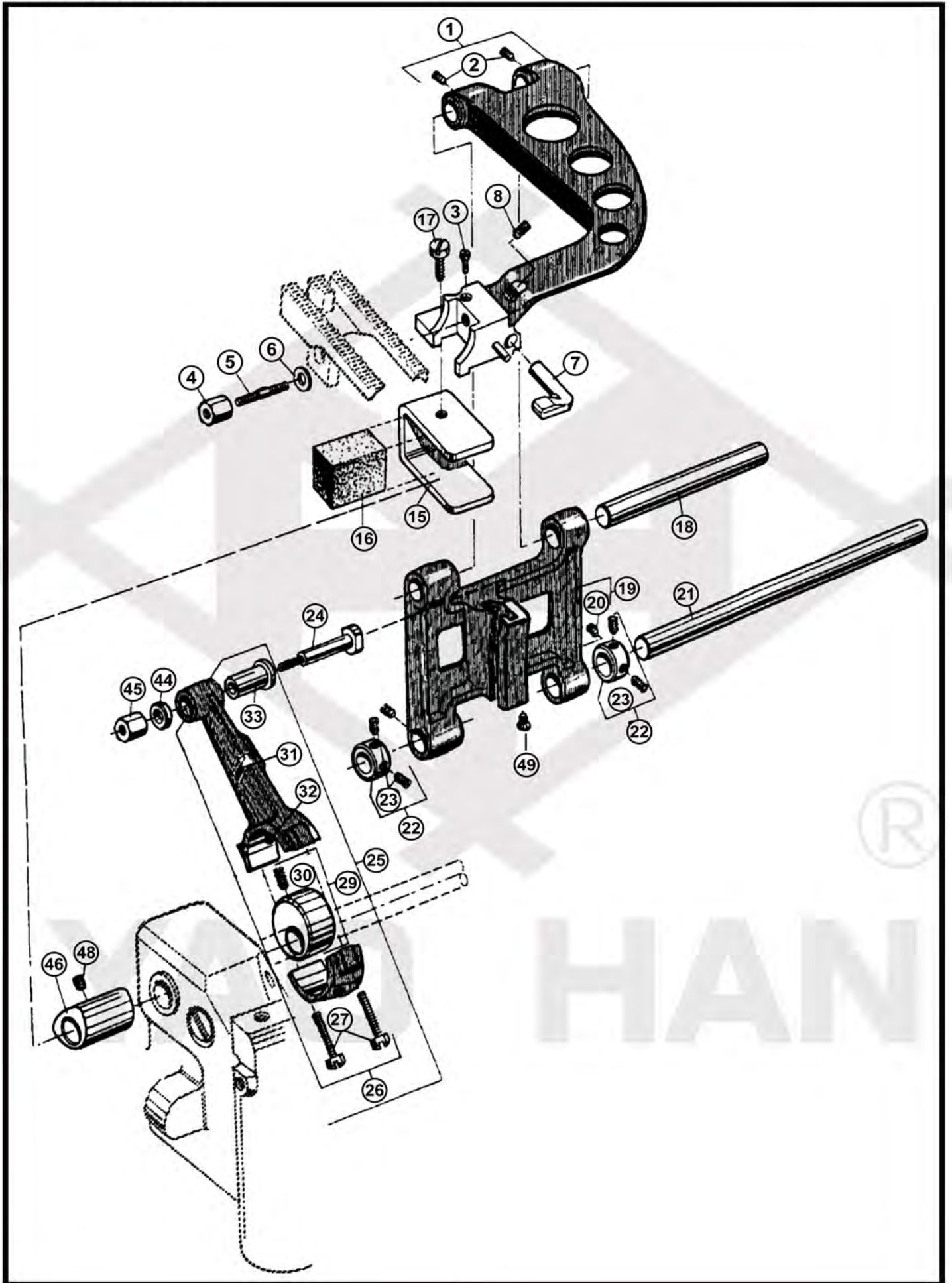
LOOPER ROCKER & CONNECTING ROD PARTS



LOOPER ROCKER & CONNECTING ROD PARTS

ITEM	PART NO.	DESCRIPTION	AMT. REQ.
1	800-0601	Rocker for looper drive lever shaft	1
2	800-0602	Screw	2
3	800-0603	Screw	1
4	800-0604	Nut	1
5	800-0605	Looper Avoid Eccentric Fork Assembly	1
6	800-0606	Guide Plate	2
7	800-0217	Screw	2
8	800-0608	Screw	1
9	800-0609	Screw	1
10	800-0610	Oil Felt	1
11	800-0611	Collar	1
12	800-0325	Set Screw	2
13	800-0613	Looper Shaft	1
14	800-0114A	Wick Yarn, length 50 mm (2") (please specify length when ordering)	1
15	800-0615	Looper Drive Lever Rocker Shaft	1
16	800-0616	Looper Thread Cast-off Assembly for Styles U700 and E	1
17	800-0617	Bracket for Styles U700C and E	1
18	800-0618	Thread Eyelet	2
19	800-0619	Set Screw	2
20	800-0620	Cast-off Hook	1
21	800-0621	Countersunk Screw	2
22	800-0622	Screw	1
23	800-0623	Looper for two thread double locked stitch	1
27	800-0627	Looper Rocker Assembly	1
28	800-0628	Cone Stud	1
29	800-0629	Looper Rocker	1
30	800-0630	Cone	1
31	800-0631	Set Screw	1
32	800-0631	Set Screw	1
33	800-0633	Nut	1
34	800-0634	Screw for looper	2
35	800-0635	Ball Joint Assembly	1
36	800-0636	Shell	1
37	800-0637	Screw	2
38	800-0638	Ball Stud	1
39	800-0639	Nut	1
40	800-0640	Nut, left hand thread	1
41	800-0641	Connecting Rod	1
42	800-0550	Nut	1
43	800-0643	Ball Joint Assembly	1
44	800-0644	Shell	1
45	800-0645	Screw	2
46	800-0646	Washer	1
47	800-0647	Ball Stud	1
48	800-0648	Nut	1
49	800-0649	Looper Drive Lever	1
49A	800-0649A	Screw	2
50	800-0650	Screw	1
51	800-0651	Looper Thread Take-up	1
52	800-0652	Screw	1
53	800-0653	Looper Thread Guide	1
54	800-0654	Nut for looper rocker	1

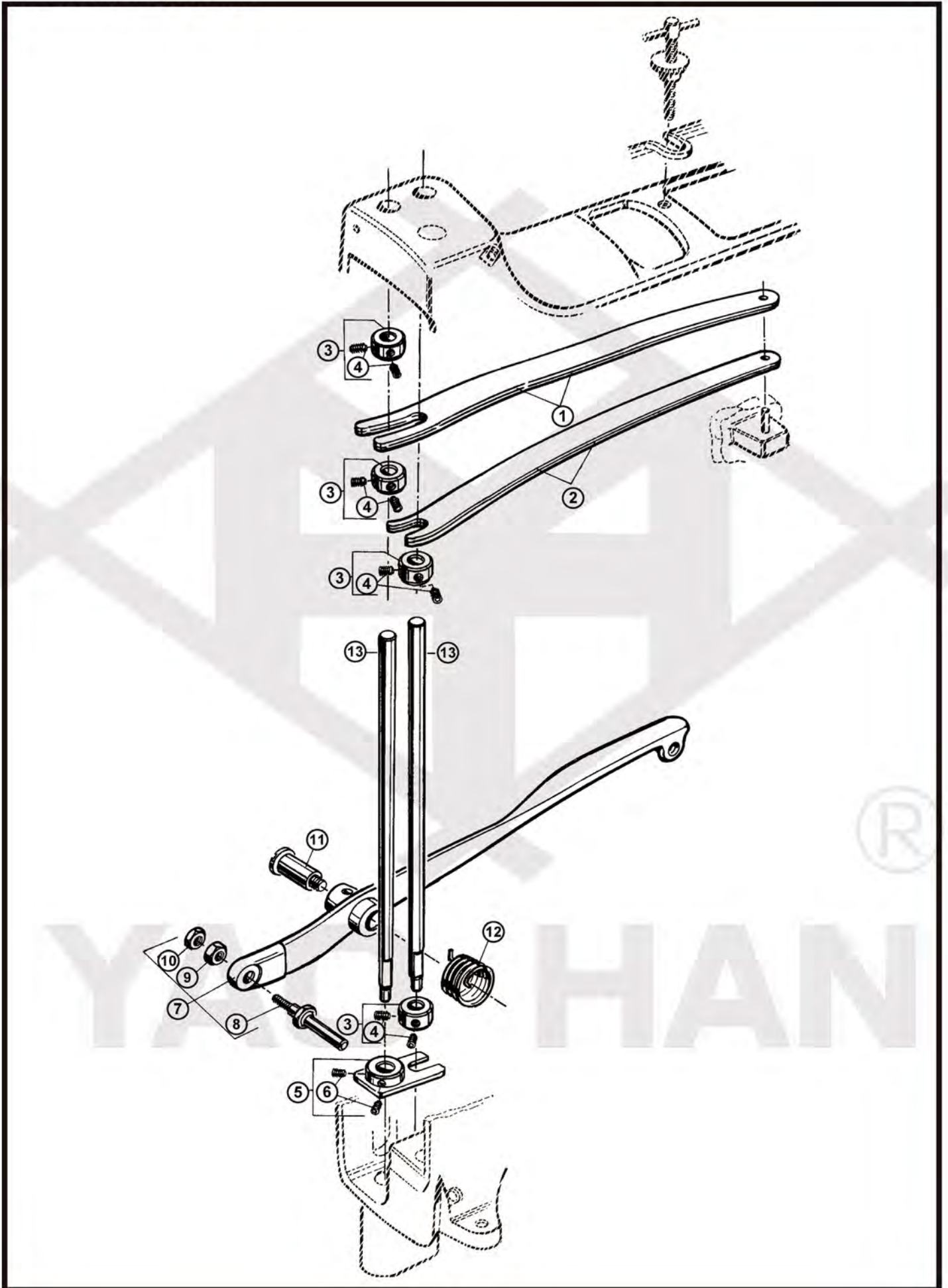
FEED MECHANISM



FEED MECHANISM

ITEM	PART NO.	DESCRIPTION	AMT. REQ.
1	800-0701	Feed Bar	1
2	800-0109	Set Screw for needle lever shaft bushing	2
3	800-0703	Feed Dog Supporting Screw	1
4	800-0704	Nut for feed dog	1
5	800-0705	Stud Bolt for feed dog	1
6	800-0706	Washer	1
7	800-0707	Needle Guard for Styles U700C, D and E	1
8	800-0118	Set Screw for crankshaft bearing housing	1
9	800-0709	Feed Bar for Styles U700H and HA	1
10	800-0109	Set Screw for needle lever shaft bushing	2
11	800-0711	Feed Dog Supporting Screw	1
12	800-0712	Screw for feed dog and needle guard	1
13	800-0133	Washer	1
14	800-0714	Needle Guard for Styles U700H and HA	1
15	800-0715	Feed Lift Eccentric Fork	1
16	800-0716	Oil Felt	1
17	800-0717	Screw	1
18	800-0718	Feed Bar Shaft	1
19	800-0719	Feed Rocker	1
20	800-0109	Set Screw for needle lever shaft bushing	2
21	800-0721	Feed Rocker Shaft	1
22	800-0611	Collar	2
23	800-0325	Set Screw	4
24	800-0724	Stitch Regulating Stud for Styles U700C, D and E	1
25	800-0725	Feed Drive Eccentric Assembly for Styles U700C, D and E	1
26	800-0726	Connection	1
27	800-0420	Screw	2
29	800-0729	Eccentric	1
30	800-0445	Spot Screw, headless	1
31	800-0731	Oil Wick	1
32	800-0442	Oil Wick	1
33	800-0733	Flange Bushing	1
34	800-0734	Washer	1
45	800-0639	Nut	1
46	800-0746	Feed Lift Eccentric for Styles U700C, D and E	1
48	800-0748	Spot Screw, headless	1
49	800-0749	Screw	1

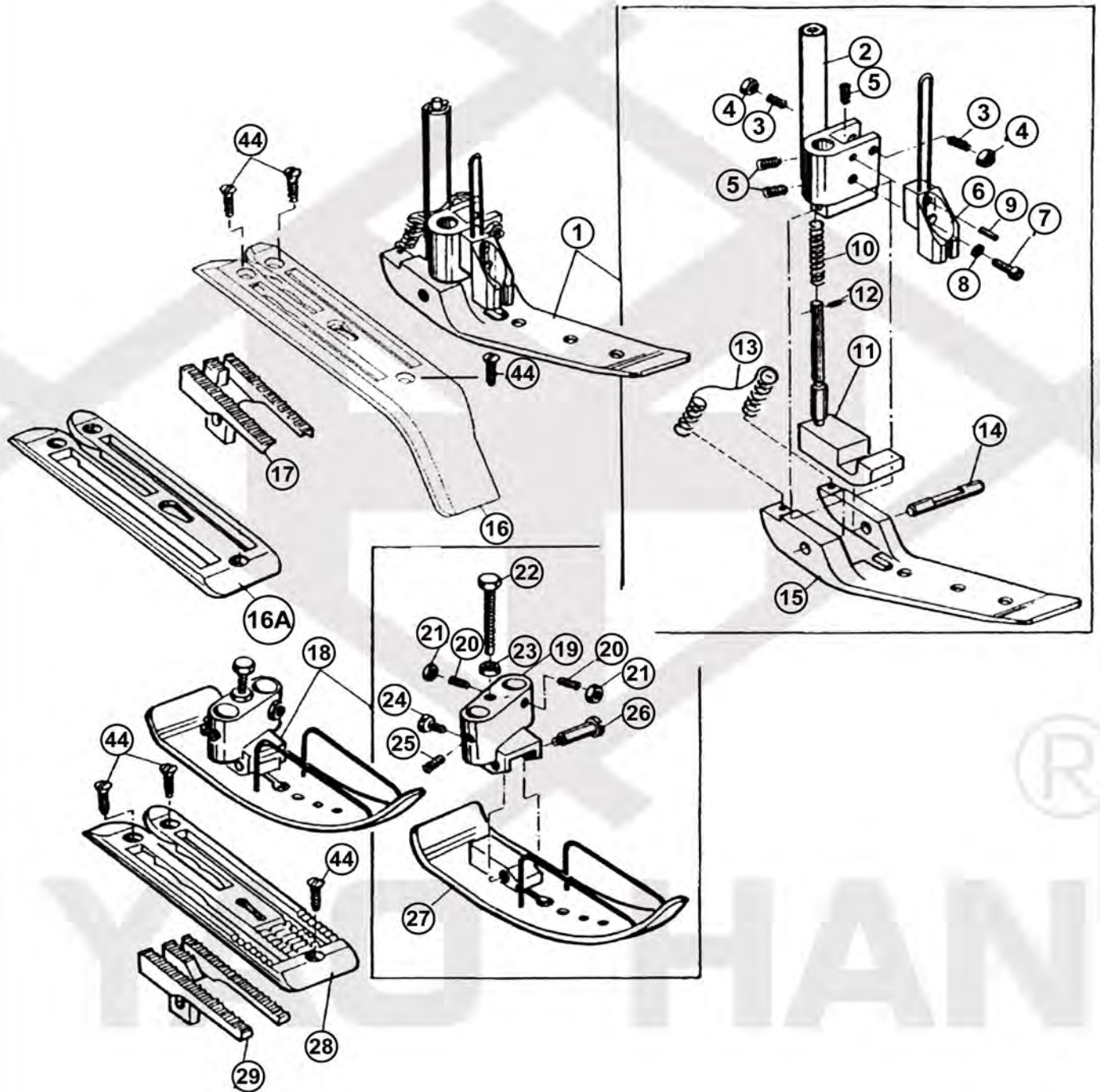
PRESSER BAR PARTS



PRESSER BAR PARTS

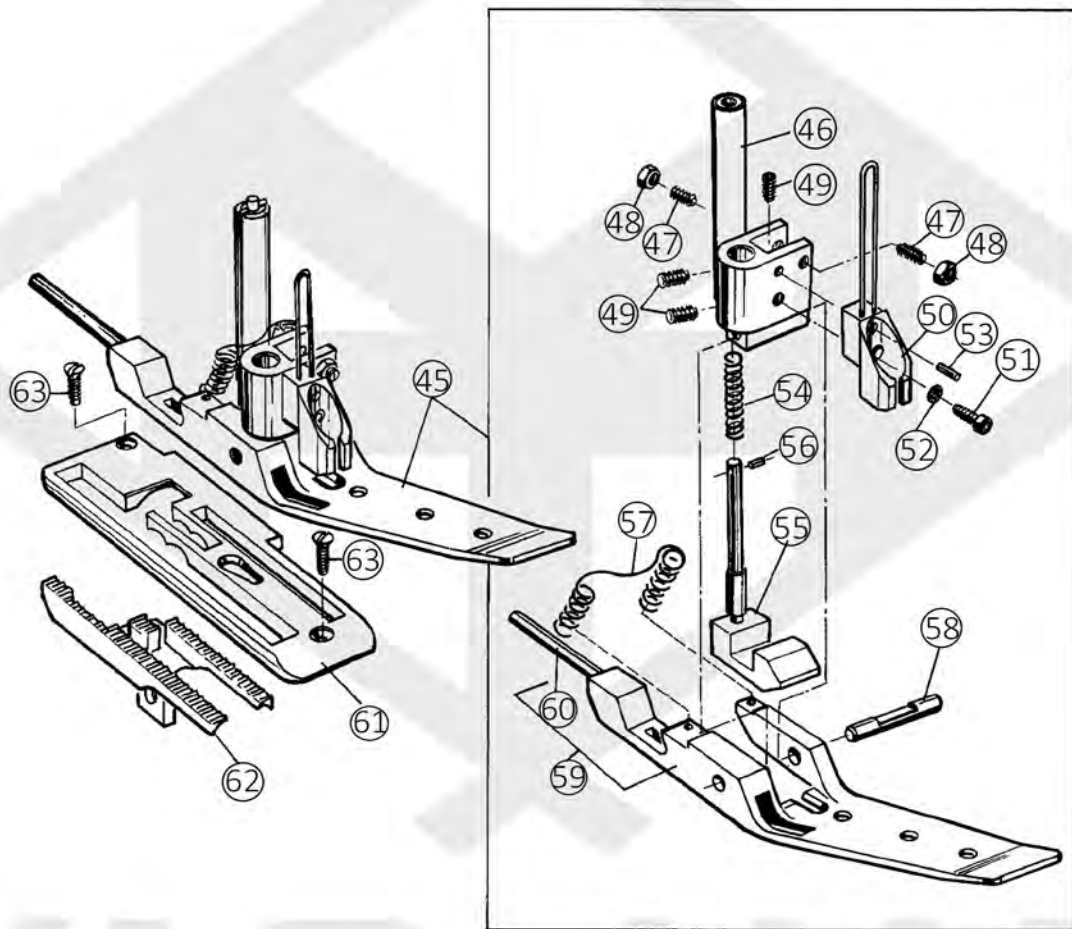
ITEM	PART NO.	DESCRIPTION	AMT. REQ.
1	800-0801	Leaf Spring, upper	2
2	800-0802	Leaf Spring. lower	2
3	800-0611	Collar	4
4	800-0325	Set Screw	8
5	800-0805	Presser Bar Lifter Collar	1
6	800-0325	Set Screw	2
7	800-0807	Presser Foot Lifter Lever	1
8	800-0808	Lifter Lever Stud	1
9	800-0809-1	Nut	1
10	800-0810	Nut	1
11	800-0811	Stud for Lifter Lever	1
12	800-0812	Spring	1
13	800-0813	Presser Bar, left and right	2

GAUGE SET (FOR U700C)



GAUGE SET (FOR U700C)

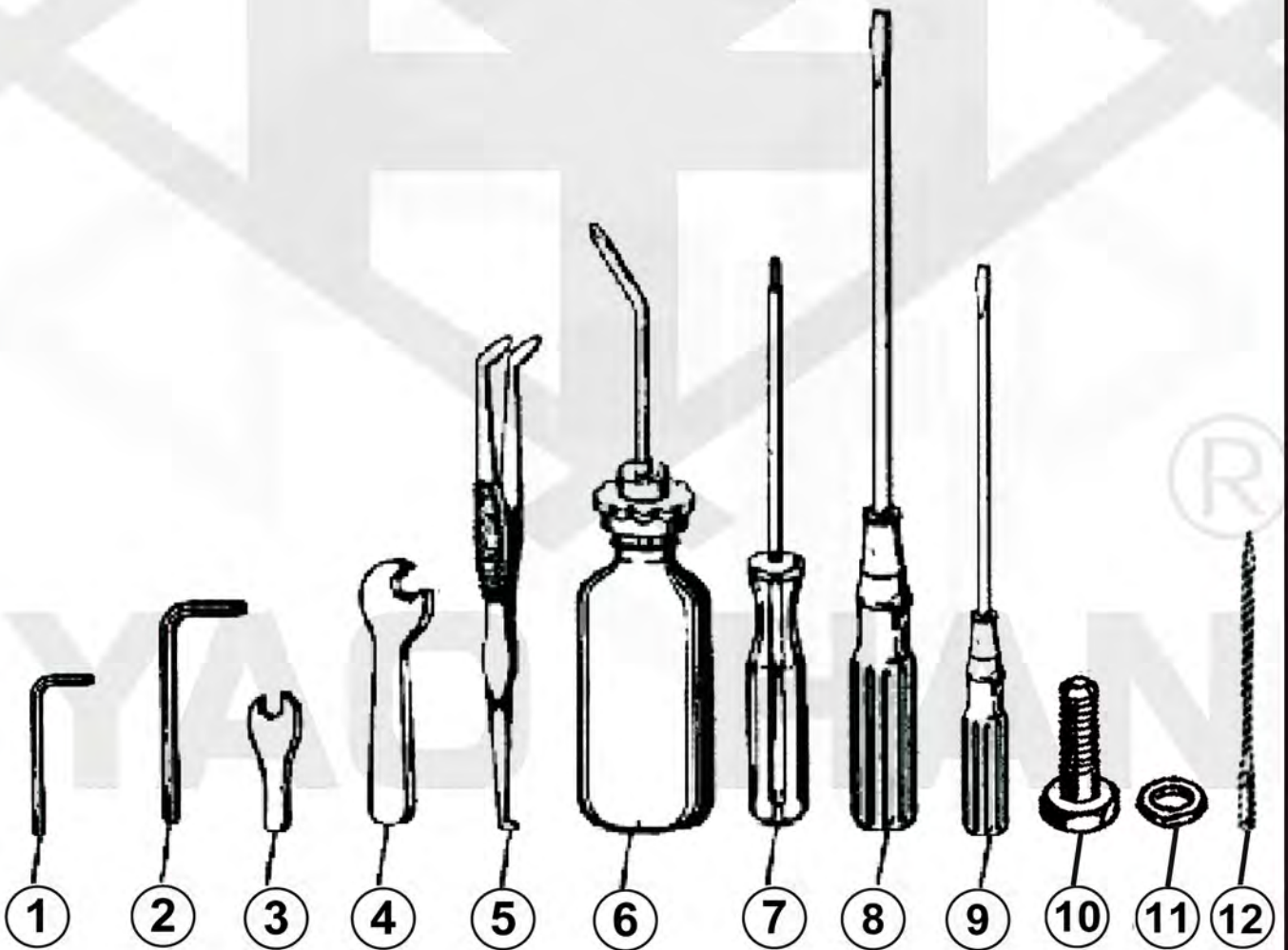
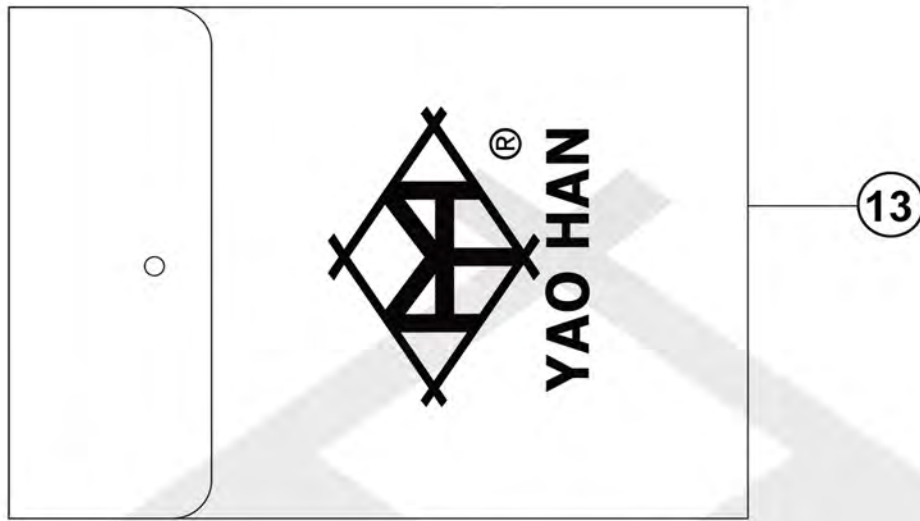
ITEM	PART NO.	DESCRIPTION	AMT. REQ.
1	800-0901	Presser Foot for Styles U700C and D	1
2	800-0902	Presser Foot Shank	1
3	800-0903	Set Screw to align presser foot	2
4	800-0904	Nut	2
5	800-0325	Screw	3
6	800-0906	Finger Guard	1
7	YH250322-1	Screw	1
8	800-0908	Lock Washer	1
9	800-0909	Clamping Sleeve	1
10	800-0910	Spring	1
11	800-0911	Chaining Section	1
12	800-0912	Clamping Sleeve	1
13	800-0913	Spring	1
14	800-0914	Pin	1
15	800-0915	Presser Foot Bottom	1
16	800-0916	Throat Plate for Styles U700C & D	1
16A	△ 800-0916A	Throat Plate for styles U700C & D (option)	1
17	800-0917	Feed Dog for Styles U700C & D	1
18	△ 800-0918	Presser Foot for Style U700E	1
19	△ 800-0919	Presser Foot Shank	1
20	△ 800-0315	Screw	2
21	△ 800-0904	Nut	2
22	△ 800-0922	Screw for adjustment of presser foot bottom	1
23	△ 800-0923	Nut	1
24	△ 800-0924	Screw	1
25	△ 800-0110	Set screw for plug screw	1
26	△ 800-0926	Hinge Screw	1
27	△ 800-0927	Presser Foot Bottom	1
28	△ 800-0928	Throat Plate for Style U700E	1
29	△ 800-0929	Feed Dog for Style U700E	1
44	800-0432	Countersunk Screw	3



GAUGE SET (FOR U700RL)

ITEM	PART NO.	DESCRIPTION	AMT. REQ.
45	800-0945	Presser Foot for Styles U700C and D	1
46	800-0902	Presser Foot Shank	1
47	800-0903	Set Screw to align presser foot	2
48	800-0904	Nut	2
49	800-0325	Screw	3
50	800-0906	Finger Guard	1
51	YH250322-1	Screw	1
52	800-0908	Lock Washer	1
53	800-0909	Clamping Sleeve	1
54	800-0910	Spring	1
55	800-0946	Chaining Section	1
56	800-0912	Clamping Sleeve	1
57	800-0913	Spring	1
58	800-0947	Pin	1
59	800-0948	Presser Foot Bottom	1
60	800-0949	Throat Plate for Styles U700C & D	1
61	800-0950	Throat Plate for styles U700C & D (option)	1
62	800-0951	Feed Dog for Styles U700C & D	1
63	800-0432	Countersunk Screw	2

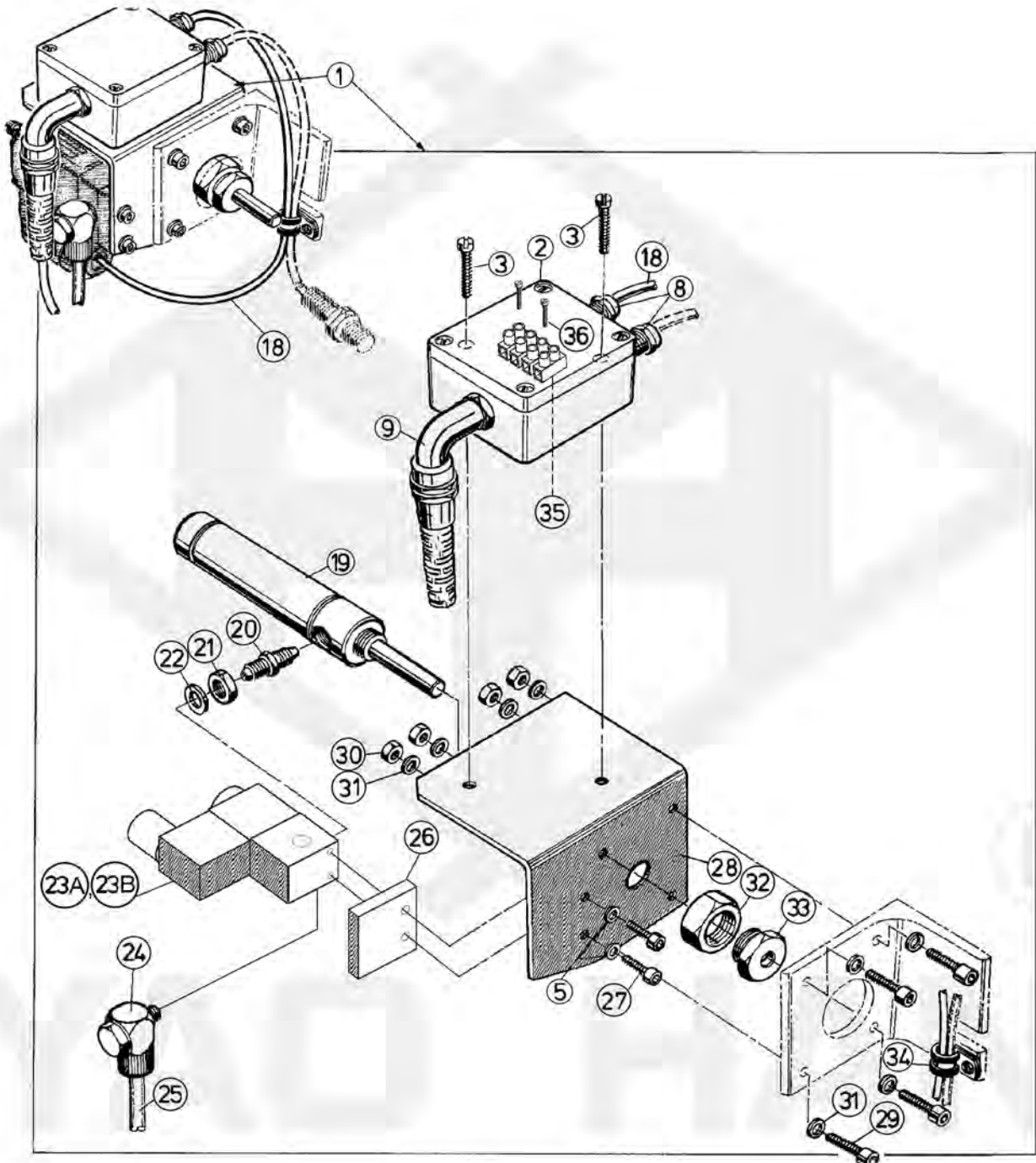
ACCESSORY BAG PARTS



ACCESSORY BAG PARTS

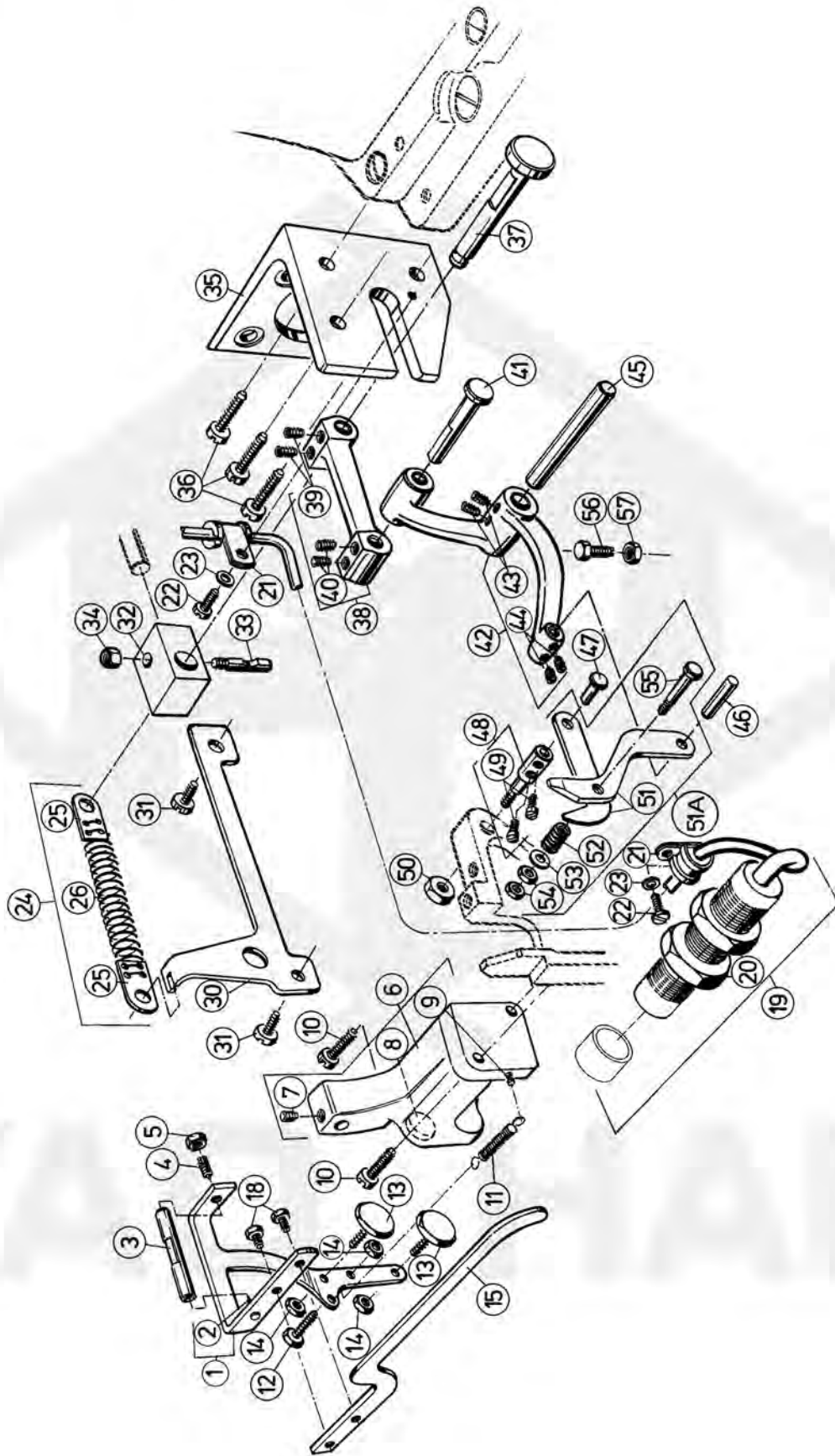
ITEM	PART NO.	DESCRIPTION	AMT. REQ.
1	3002406	Hex Socket Head Wrench, size 5 mm for Styles U700H and HA	1
2	3002406-1	Hex Socket Head Wrench, size 5 mm for Styles U700H and HA	1
3	800-1002	Single Jawed Wrench, size 9/32" (7.2 mm)	1
4	800-1003	Single Jawed Wrench, size 3/8" (9.5 mm)	1
5	800-1004	Tweezers	1
6	800-1005	Oil Can	1
7	800-1006	Screwdriver for hex socket head screw, size 3/32"	1
8	800-1007	Screwdriver	1
9	800-1008	Screwdriver	1
10	800-1009	Machine Fastening Screw	3
11	800-1010	Washer	3
12	800-0453	Needle	2
13	9000901	Accessory bag	1

CUTTER PARTS (ELECTRIC CONTROL FOR U700RL)



CUTTER PARTS (ELECTRIC CONTROL FOR U700RL)

ITEM	PART NO.	DESCRIPTION	AMT. REQ.
1	800-1101	Air cylinder Drive Assembly for styles U700RL,SL,TL,TAL,UL,UAL	1
2	800-1102A	Terminal Box	1
3	800-0320	Screw	2
5	800-1105	Washer	2
8	800-1108	Cable screwing	2
9	800-1109-1	Elbow screw Fitting	1
11	800-1111	Cable with Plug	1
18	800-1118	Cable	1
19	800-1119	Air cylinder	1
20	800-1120	Connector	1
21	800-1121	Hex.Nut	1
22	800-1122	Aluminium Gasket	1
23	800-1123-1	Solenoid Valve 200-230V,50/60HZ	1
24	800-1124	Elbow Fitting	1
25	800-1125	PE-Tube,length 1 meter	1
26	800-1126-1	Spacer Plate	1
27	800-1127-1	Screw	2
28	800-1128-YH	BACKET FOR YH U700RL	1
29	800-1129	Screw	4
30	800-1130	Nut	4
31	800-1131	Washer	8
32	800-1132	Lock Nut	1
33	800-1133	Stop Screw	1
34	MS-101088-3	FIX CLIP (1/4)	1
35	800-1102-1	FLEXIBLE TERMINAL BLOCK	1
36	800-1102-2	Screw	2



CUTTER MECHANISM PARTS (FOR U700RL)

ITEM	PART NO.	DESCRIPTION	AMT. REQ.
1	800-1201	Holder for feeler	1
2	800-1202	Center Pin	1
3	800-1203	Center Shaft	1
4	800-1204	Center Screw	1
5	800-1205	Nut	1
6	800-1206	Support for feeler	1
7	800-0302	Set Screw	1
8	800-1208	Magnet	1
9	800-1209	Grooved Pin	1
10	800-1210	Screw	2
11	800-1211	Spring	1
12	800-1212	Feeler Stop Screw	1
13	800-1213	Screw	2
14	800-1214	Nut	3
15	800-1215	Feeler for styles 80800R,RL,SL	1
18	800-1218	Screw	2
19	800-1219A	PROXIMITY SWITCH	1
	800-1219-1	bushing	1
20	800-1220	Nut	2
21	800-1221	Cable Clamp,plastic	2
22	561-0222	Screw	2
23	800-0706	Washer	2
24	800-1224	Pull Back Spring Assembly for styles 80800R,S,RL,SL	1
25	800-1225	Spring Evelet	2
26	800-1226	Spring	1
30	800-1230	Spring Holder	1
31	561-0243	Screw for styles 80800R,RL,SL	2
32	800-1232	Ciamp	1
33	800-1233	Locking Stud	1
34	561-0603	Nut	1
35	800-1235	Bracket	1
36	800-1236	Screw	3
37	800-1237	Stud	1
38	800-1238	Connecting Lever	1
39	800-1239	Set Screw	2
40	800-0302	Set Screw	2
41	800-1241	Stud	1
42	800-1242	Lever	1
43	800-0302	Set Screw	2
44	800-0619	Set Screw	2
45	800-1245	Shaft	1
46	800-1246	Parallel Pin	1
47	800-1247	Stud	1
48	800-1248	Stud for knife	1
49	800-1249	Screw	2
50	800-0550	Nut	1
51	800-1251	Chain Cutter	1
51A	800-1251	Chain Cutter	1
52	800-1252	Spring	1
53	800-1253	Washer	1
54	800-1254	Nut	2
55	800-1255	Stud	1
56	800-1256	Stop Screw	1
57	800-0550	Nut	1